

### Features

- Ergonomic and Straight line design suitable for compact rooms with deck space.
- Made of our highly durable material (much harder than ordinary ceramic).
- Stain- Resistant coating keeps it shiny and makes it easy to clean.
- Optimum Depth to contain Splashes.
- Without Overflow
- Above counter with faucet deck
- Only drain cutting(no profile cutting required)

### Product Details

- Material: Vitreous China
- Overflow: Without Overflow Hole

### Recommended Accessories

- Bottle Trap (75823IN-\*\*).
- Compatible Drain (20746IN-\*\*).



SKU Codes	Description
72288IN-4-**	Aleo Single Control Pillar Lavatory Faucet
72275IN-4-**	Aleo Lavatory Faucet
72326IN-4-**	Aleo+ Single Control Pillar Lavatory Faucet
72312IN-4-**	Aleo+ Lavatory Faucet
99452IN-4-**	Kumin® Pillar Lavatory Faucet
98827IN-4ND-**	Kumin® Lavatory Faucet
74028IN-4-**	Taut™ Pillar Lavatory Faucet
74013IN-4-**	Taut™ Lavatory Faucet
22538IN-4-**	Hone® Pillar Faucet
22534IN-4ND-**	Hone® Lavatory Faucet
26042IN-4-**	Beam Pillar Faucet
26040IN-4ND-**	Beam Lavatory Faucet
23482IN-4-**	Parallel™ Pillar Faucet
23472IN-4ND-**	Parallel™ Lavatory Faucet
24847IN-4-**	Elate® Pillar Faucet
24844IN-4ND-**	Elate® Lavatory Faucet
23968IN-4-**	Vive Pillar Faucet
23966IN-4ND-**	Vive Lavatory Faucet
16027IN-4ND-**	July® Lavatory Faucet
16312IN-4-**	JULY® Pillar Lavatory Faucet

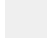
\*\*-Finish code must be specified when ordering.

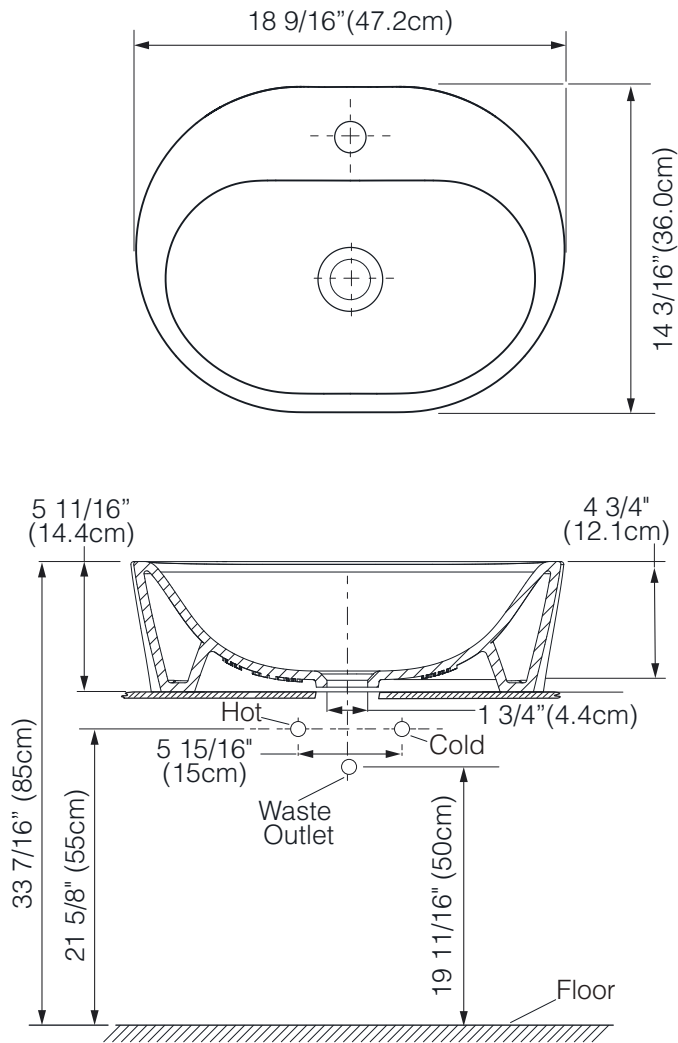
### KOHLER® Ten-Year Limited Warranty

See website for detailed warranty information  
[www.kohler.co.in/warranty](http://www.kohler.co.in/warranty)

### Available Colour/Finishes

*Colour tiles intended for reference only.*

Colour	Code	Description
	0	White



### Technical Specification

All product dimensions are nominal.

Lavatory configuration	Single
Installation	Above Counter
Lav area	Length: 18 9/16" (47.2cm) Width: 14 3/16" (36.0cm) Height: 5 11/16" (14.4cm)
Drain hole	Ø1 3/4" (4.4cm)
Template	1389030-K7

### Notes

Install this product according to the installation guide.

Choose a faucet that will provide adequate clearance and will direct the water stream to the center of the bathroom sink.

**NOTICE:** Drain cutting should be done using the cut-out template provided with the product. Kohler is not responsible for any cutout errors.