

78372T	18" Towel Bar
78373T	24" Towel Bar
78375T	24" Double Towel Bar
78376T	24" Double Towel Shelf
78377T	Towel Arm
78378T	Robe Hook
78379T	Double Towel Arm
78382T	TP Holder
78383T	Vertical TP Holder
78384T	Covered TP Holder

BEFORE YOU BEGIN

All information is based on the latest product information available at the time of publication. Kohler Co. reserves the right to make changes in product characteristics, packaging, or availability at any time without notice.

Please leave these instructions for the consumer. They contain important information.

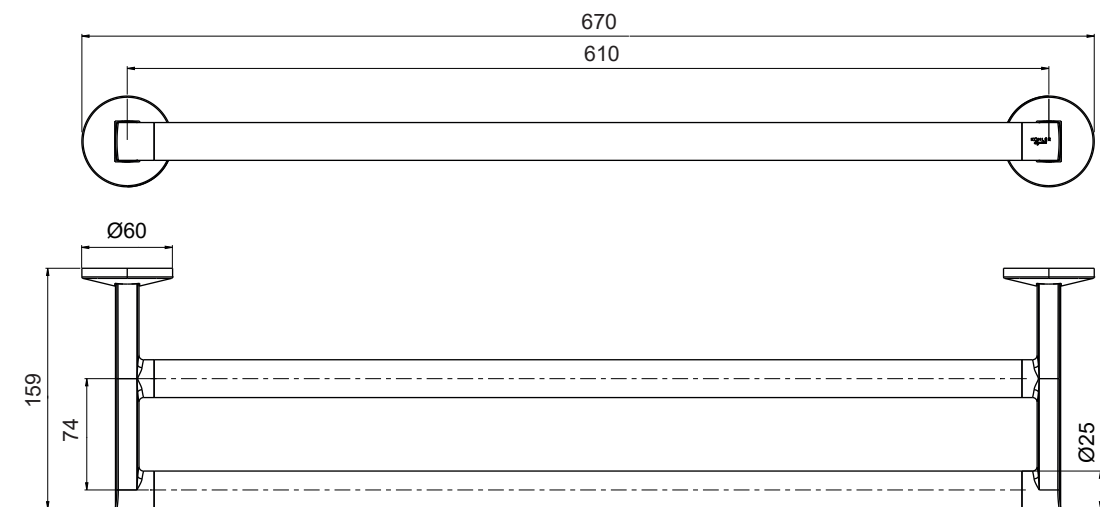
NOTE:

These products should be located and mounted to a wall. While it is possible to mount them to any surface, a stud or concrete mounted product will yield the best results.

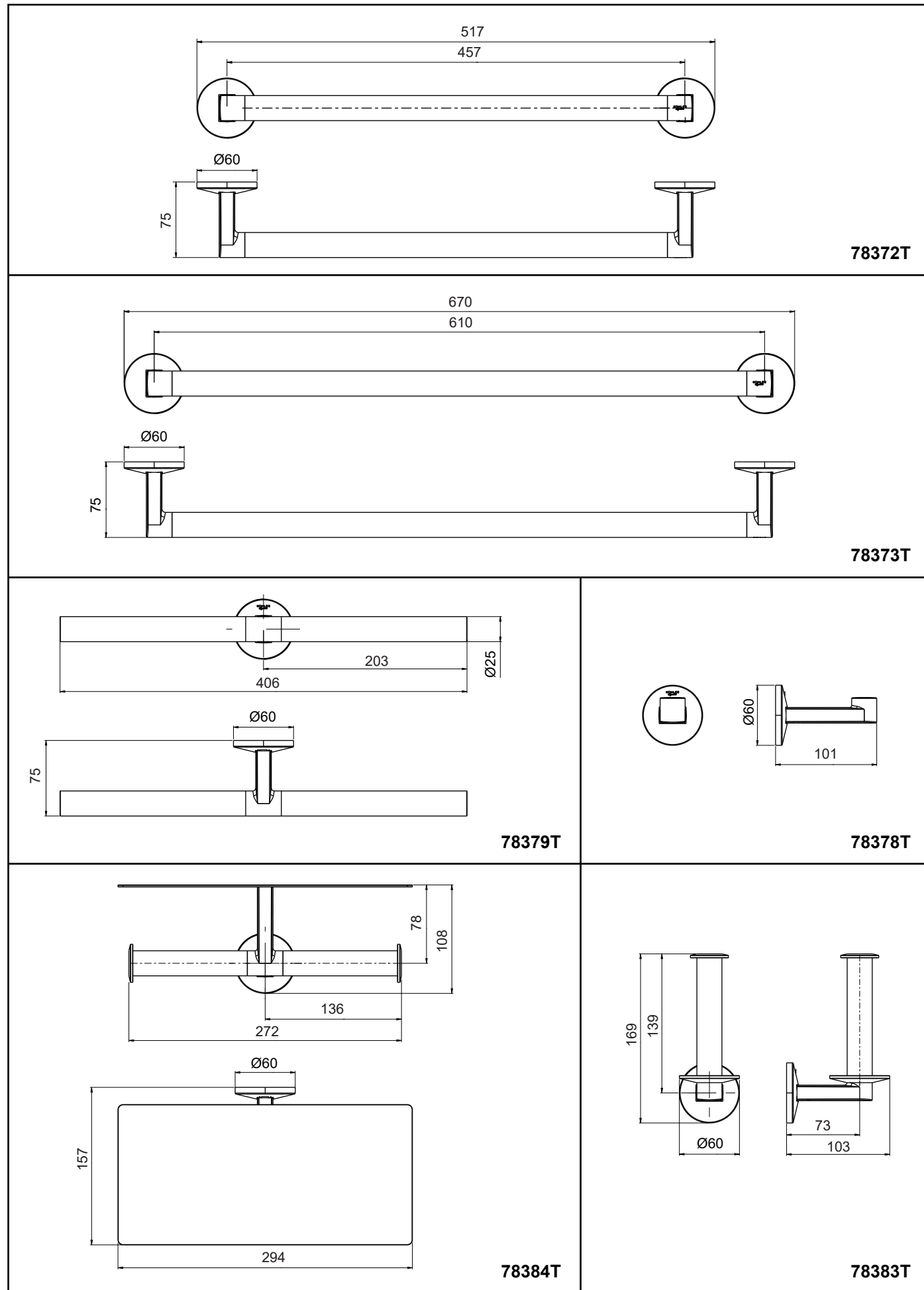
DANGER: (Risk of personal injury)

These products are not designed or intended for use as a grab bar or support bar. Do not install where the product might be used as a grab or support bar.

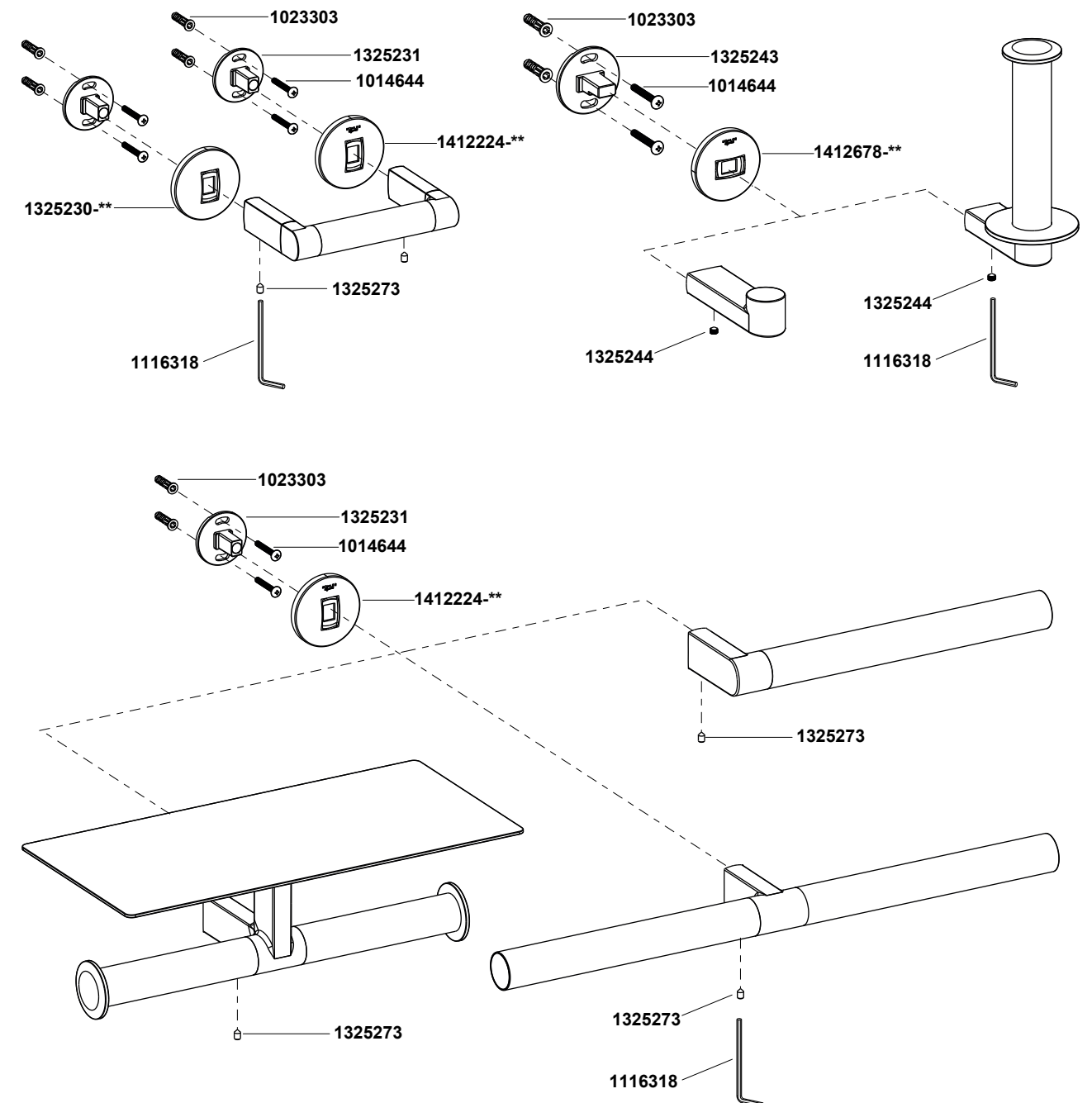
ROUGH-IN DIMENSIONS



78375T



- 78377T Towel Arm
- 78378T Robe Hook
- 78379T Double Towel Arm
- 78382T TP Holder
- 78383T Vertical TP Holder
- 78384T Covered TP Holder

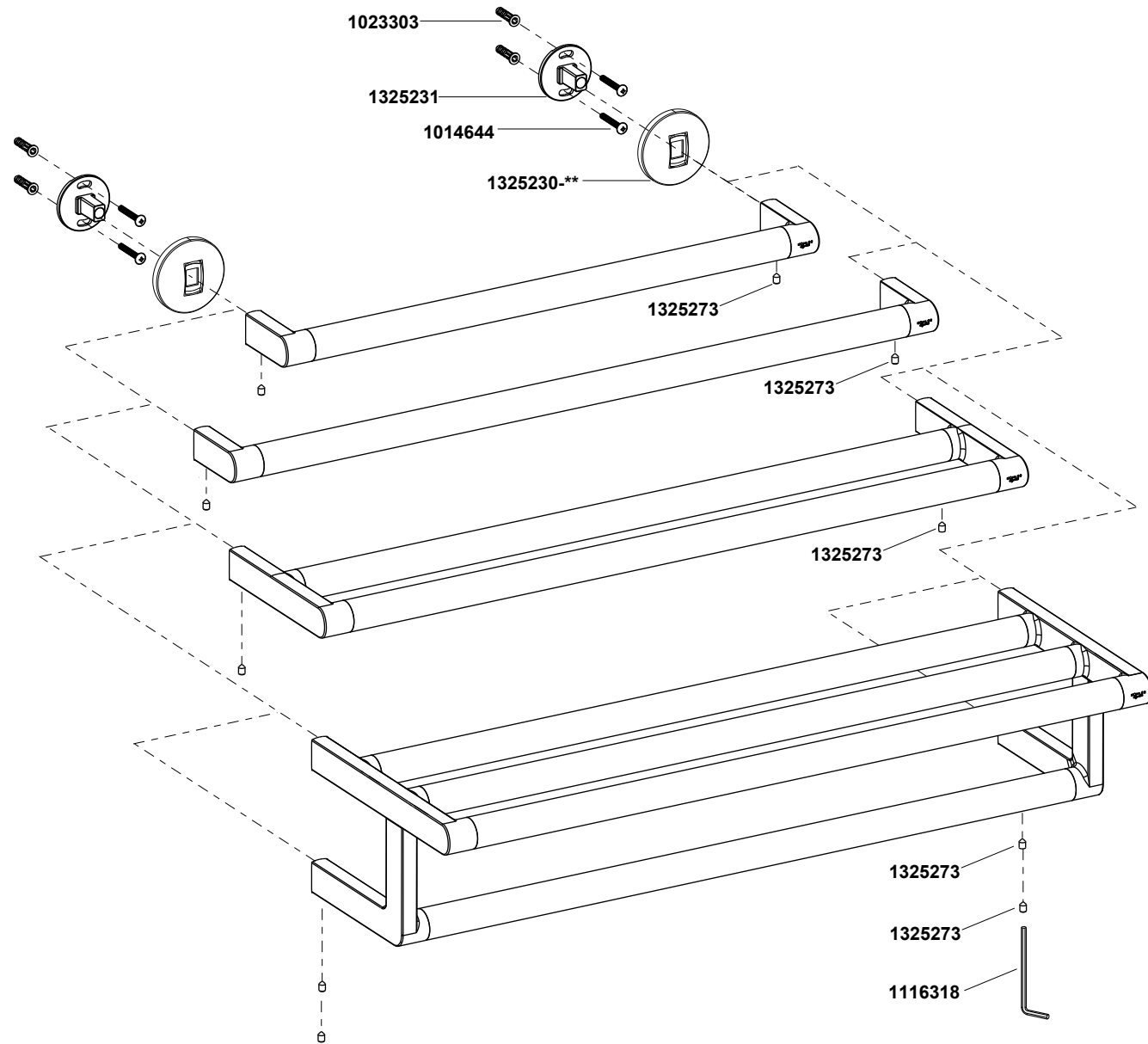


**Color code must be specified when ordering

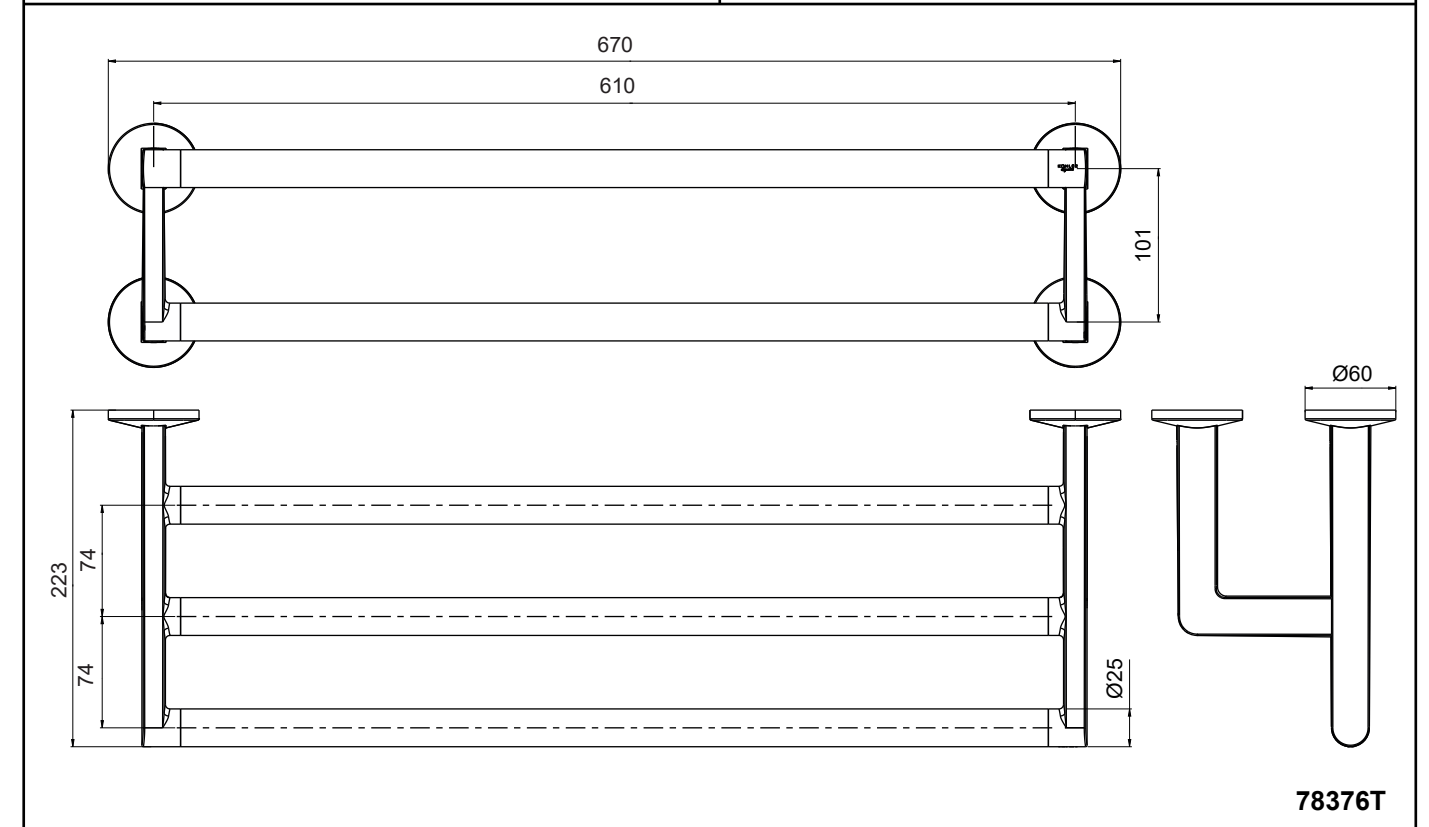
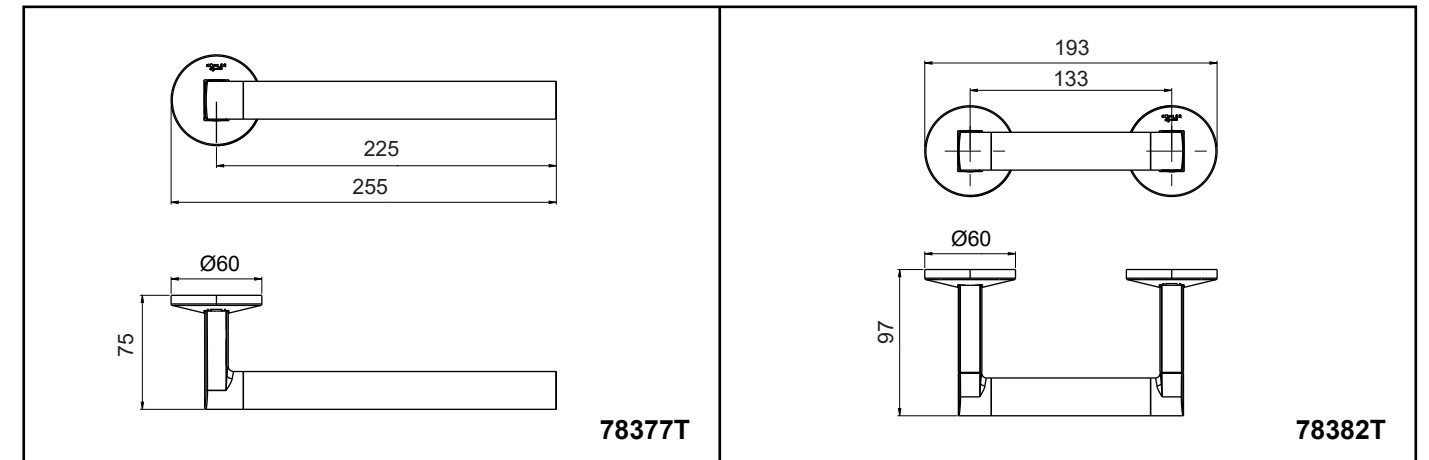
NOTE: For all Asia pacific regions (excluding China) add SP (SPxxxxxx**) in front of the part number when ordering.

COMPONENTS

- 78372T 18" Towel Bar
- 78373T 24" Towel Bar
- 78375T 24" Double Towel Bar
- 78376T 24" Double Towel Shelf



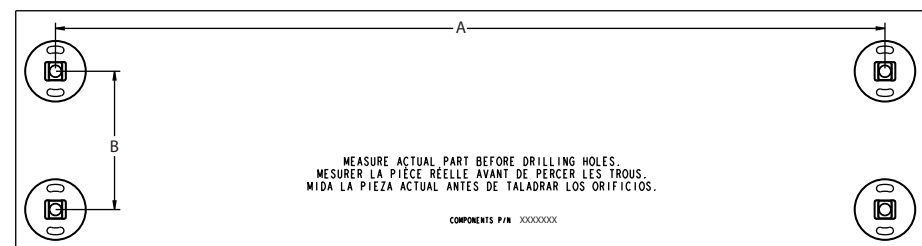
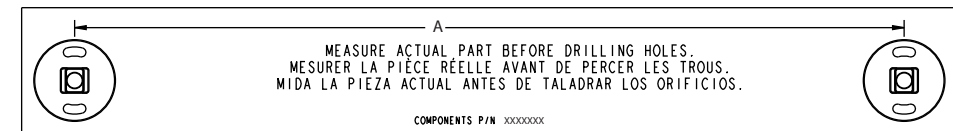
**Color code must be specified when ordering
NOTE: For all Asia pacific regions (excluding China) add SP (SPxxxxxx**) in front of the part number when ordering.

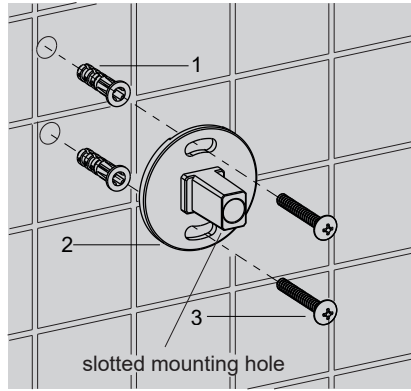


INSTALLATION

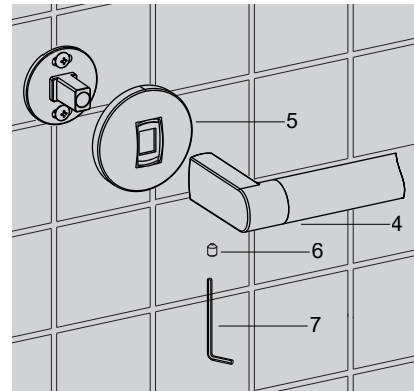
Install The Single/Double Towel Bar & Towel Shelf

Select a location on the vertical wall to stick the templet, ensure the templet is horizontal. Drill hole in the finished wall as required.



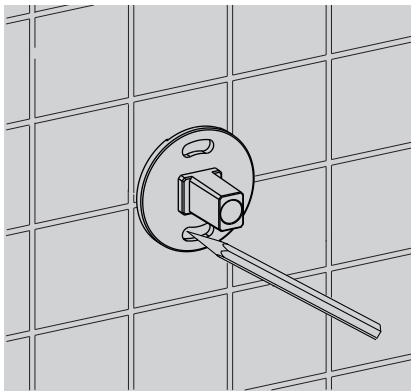


Press the anchor(1) into the hole. Orienting the slotted mounting hole of the bracket downward. Secure the bracket(2) with the self-tapping screw(3).

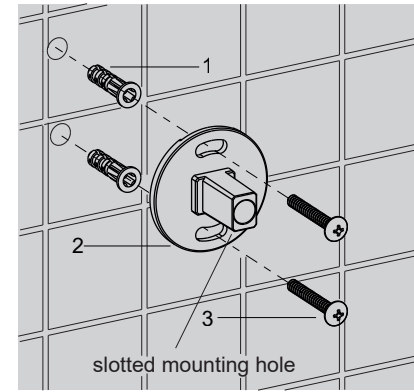


Slide the escutcheon(5) onto the bracket. Slide the main body(4) onto the bracket and keep the screw hole downward. Tighten the screw(6) with the hex wrench(7).

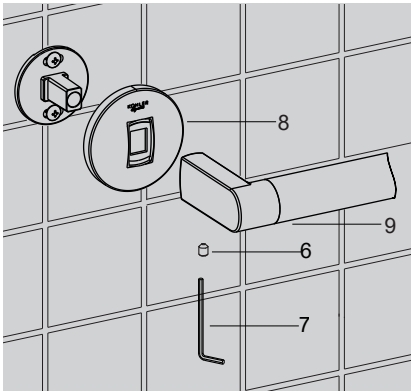
Install The Single Bracket Product



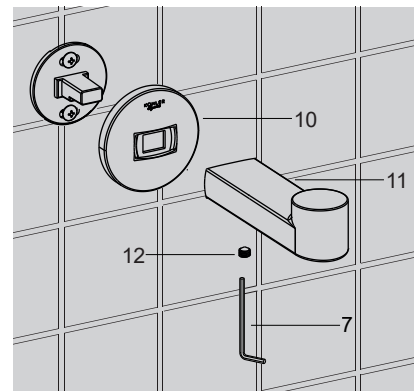
Select a location on the vertical wall to install the bracket. Mark anchor mounting hole location on wall as shown, ensure two screw holes of bracket(3) are vertical. Drill hole in the finished wall as required.



Press the anchor(1) into the hole. Orienting the slotted mounting hole of the bracket downward. Secure the bracket(2) with the self-tapping screw(3).



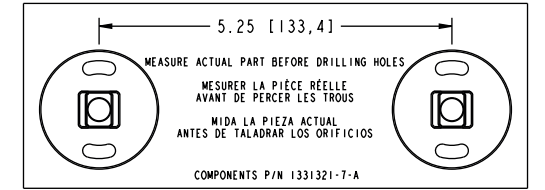
Slide the escutcheon(8) onto the bracket. Orient the "KOHLER" icon on escutcheon upward. Slide the main body(9) onto the bracket and keep the screw hole downward. Tighten the screw(6) with the hex wrench(7).



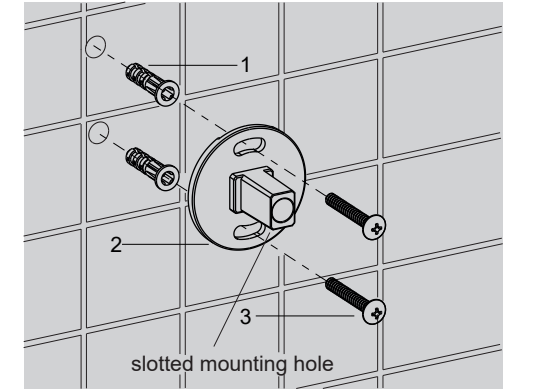
Slide the escutcheon(10) onto the bracket. Orient the "KOHLER" icon on escutcheon upward. Slide the main body(11) onto the bracket and keep the screw hole downward. Tighten the screw(12) with the hex wrench(7).

Install The Pivoted Toilet Paper Holder

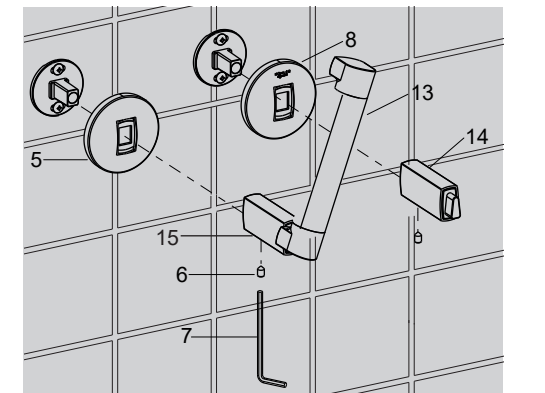
As shown on the right, select a location on the vertical wall to stick the templet, ensure the templet is horizontal. Drill hole in the finished wall as required.



Press the anchor(1) into the hole. Orienting the slotted mounting hole of the bracket downward. Secure the bracket(2) with the self-tapping screw(3).



As shown on the right, slide the escutcheon(5) onto the left bracket, slide the escutcheon(8) onto the right bracket, and orient the "KOHLER" icon on escutcheon(8) upward. Then slide the left extension kit(15) onto the left bracket and slide the right extension kit(14) onto the right bracket, keep the screw hole on the extension kit(15)&(14) downward. Tighten the screw(6) with the hex wrench(7).



Rotate the pivoted lever(13) on the left escutcheon to load the roll paper towel as required.

INSTALLATION CHECKOUT

Ensure that all connections are tightened.

Ensure all setscrews face straight down.

CLEANNING INSTRUCTIONS

All finishes: clean the finish with mild soap and warm water. Wipe entire surface completely dry with clean soft cloth. Many cleaners may contain chemicals, such as ammonia, chlorine, toilet cleaner etc. which could adversely affect the finish are not recommended for cleaning.

Do not use abrasive cleaners or solvents on Kohler faucets and fitting.