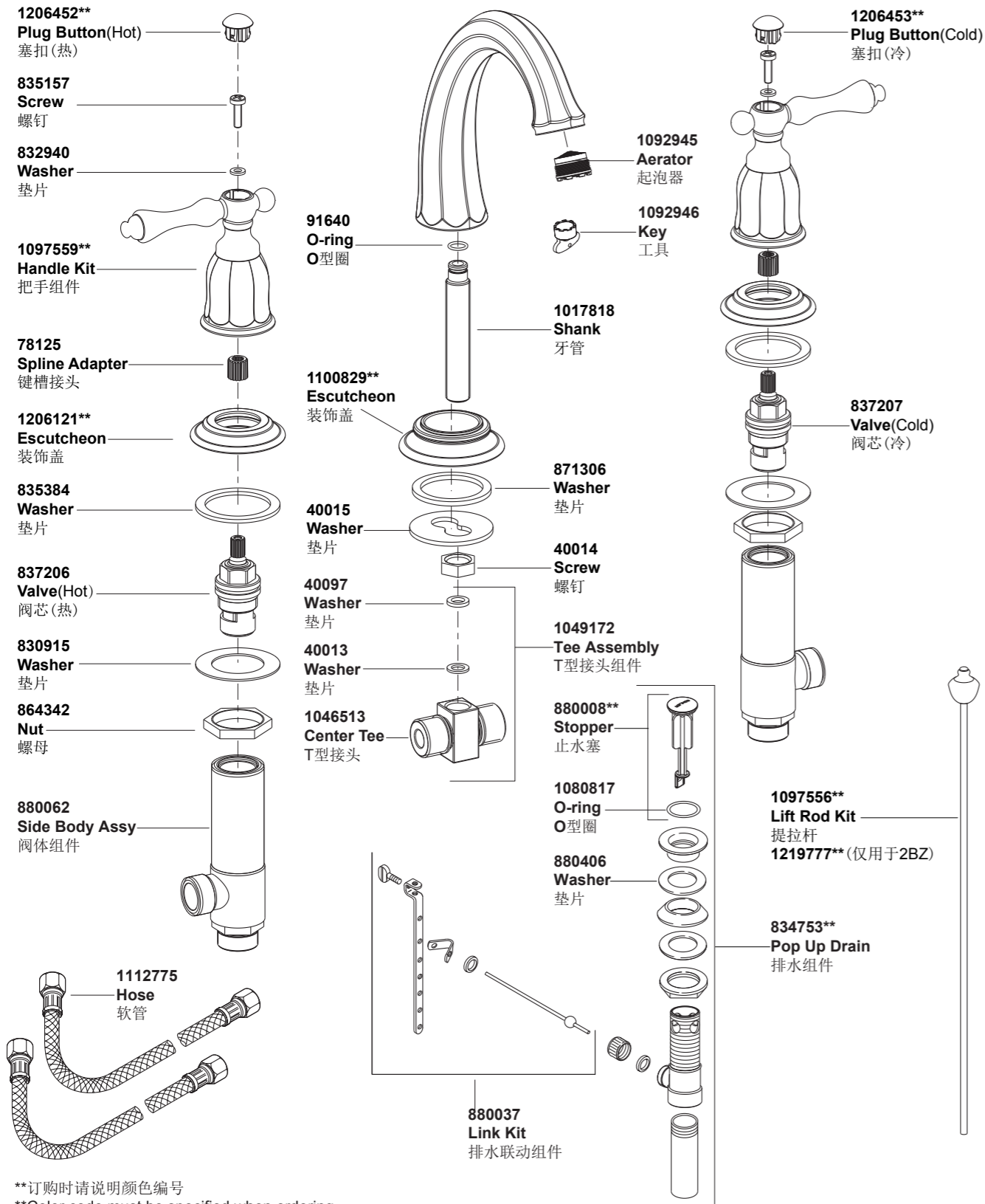


13491T-4 8"双把手脸盆龙头



**订购时请说明颜色编号
**Color code must be specified when ordering

13491T-4 8"双把手脸盆龙头

安装之前

所有的资料是按最新出版的产品资料编写而成。科勒公司保留任何时候不经通知即可改变产品特性、包装或产品可供类型的权利。

说明书包括重要的安装、保养及清洁方面的内容，请把这些资料交给用户阅读。

注意事项：

1. 一定要先彻底冲洗供水管以清除管道中的杂质。
2. 检查供水管有无损坏和漏水。如需要，进行替换和维修。
3. 遵守当地管路安装条例。
4. 尽可能在安装脸盆之前安装水龙头。

BEFORE YOU BEGIN

All information is based on the latest product information available at the time of publication. Kohler Co. reserves the right to make changes in product characteristics, packaging, or availability at any time without notice.

Please leave these instructions for the consumer. They contain important information.

NOTES:

1. Flush the water supply pipes thoroughly to remove debris.
2. Inspect the supply tubing for damage and leakage. Replace and maintain as necessary.
3. Observe local plumbing codes.
4. If possible, install this faucet before installing the lavatory.

使用说明

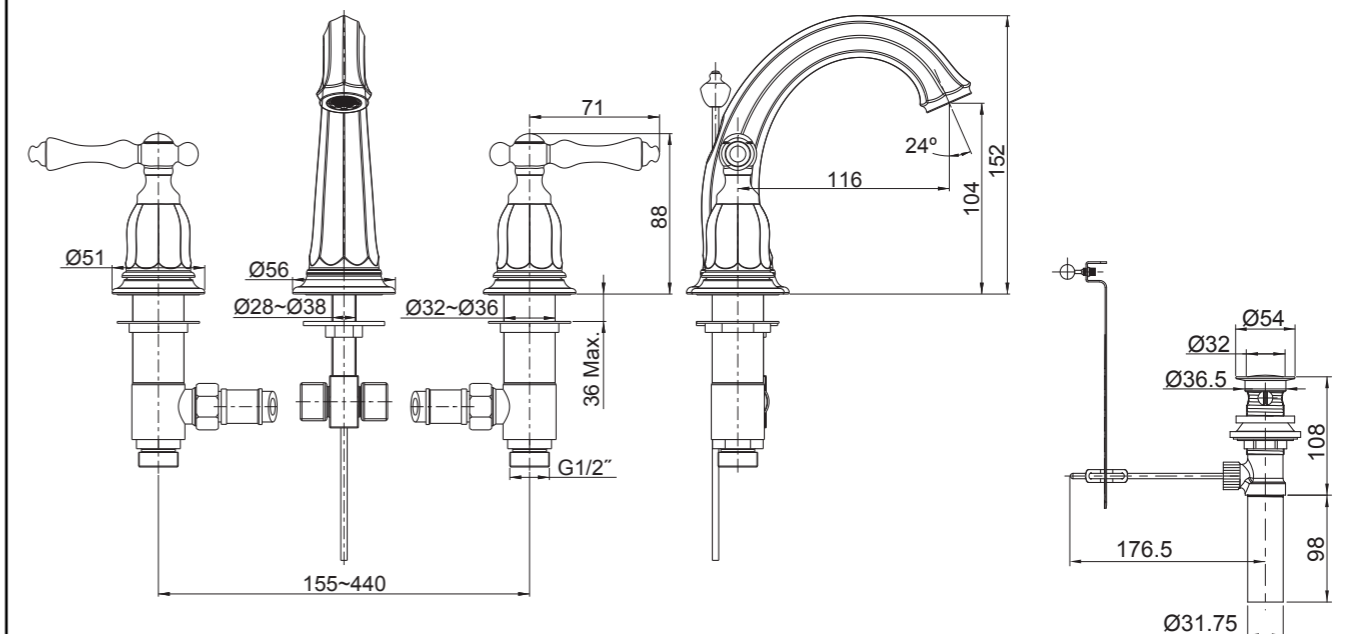
逆时针旋转左把手为开，顺时针旋转右把手为开。

HANDLE OPERATION

Left handle opens with turning counter-clockwise. Right handle opens with turning clockwise.

安装尺寸

ROUGH-IN DIMENSIONS

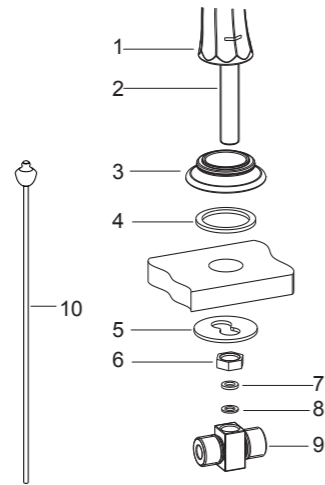


安装步骤

如何安装出水口

从牙管(2)上依次取下T型接头(9)、螺母(6)和垫片(5)。将橡胶垫片(7)和塑料垫片(8)留在T型接头内。

将装饰盖(3)通过牙管安装到出水口底部(1)。将橡胶垫片(4)通过牙管装到装饰盖底部凹槽。将提拉杆(10)装到龙头后方的孔中。再将出水口组件插入脸盆安装孔中,从脸盆下方安装垫片(5)和螺母(6)。找正出水口,用扳手拧紧螺母固定出水口组件。装回T型接头。



INSTALLATION

How To Install The Spout

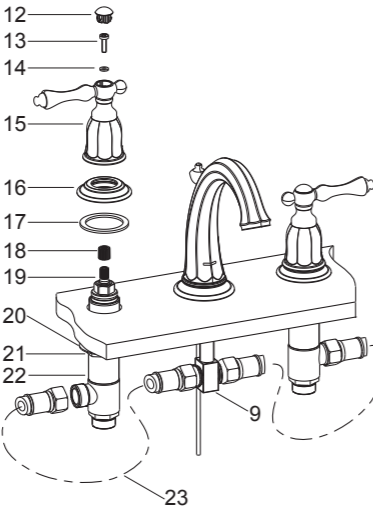
Remove the center tee(9), the nut(6) and the washer(5) from the shank(2). Leave the rubber washer(7) and the plastic gasket(8) in the center tee.

Slide the escutcheon(3) onto the bottom of the spout kit(1) through the shank. Slide the rubber washer(4) into the bottom groove of the escutcheon. Insert the lift rod(10) to the back hole on the faucet. Then fit the spout kit into the center hole of lavatory. From underside of the lavatory, install the washer(5) and the nut(6). Position the spout. Secure the spout kit by tightening nut. Reinstall the center tee.

如何安装阀体和把手

将螺母(21)和金属垫片(20)装到阀体组件(22)上。从脸盆下方,将阀体组件穿过安装孔(注:贴有红圆的阀体组件装在左侧,且安装之前阀芯处于关闭状态)。

将橡胶垫片(17)和装饰盖(16)装到每个阀体组件上。将键槽接头(18)按在阀轴(19)上,然后将把手(15)按在键槽接头上。用螺钉(13)带垫片(14)固定把手。将塞扣(12)塞入把手顶部的孔中,带“H”标示的在左边。用扳手将螺母(21)锁紧。



软管(23)一端与阀体组件出水口相连,另一端与T型接头(9)相连。

How To Install The Valve Bodies And Handles

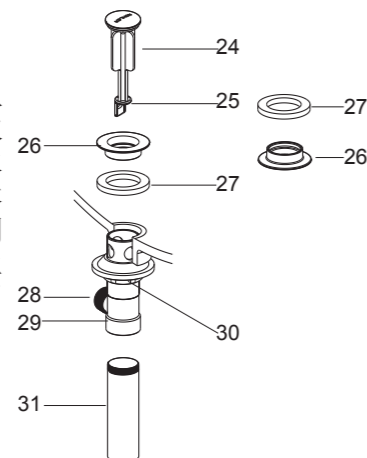
Put the nut(21) and metal washer(20) onto each side body(22). Insert side bodies through mounting holes from bottom of the lavatory (NOTE: The valve body with red dot should be installed on the left, and the valves are in the closed position before installing them).

Install the rubber washer(17) and the escutcheon(16) onto each side body. Press the spline adapter(18) onto each valve stem (19), then press the handle(15) onto each spline adapter. Secure the handles by the screws (13) with the washers(14). Press the plug(12) into the hole on the top of each handle, the plug with “H” mark is on the left. Wrench tighten the nuts(21).

One end of the hose(23) connect to the outlet of side body, and the other end connect to the center tee(9).

如何安装提拉排水组件

将止水塞(24)、法兰盘(26)及垫片(27)从排水本体(29)上取下。从排水本体上取下尾管(31)。用密封胶带(生料带)在排水器尾管螺纹上缠几圈,再装回到排水本体上。把排水本体组件从脸盆下方插到脸盆中,排水杆口(28)朝后方。把法兰盘带垫片旋入到排水本体中,从下方用手拧紧锁紧螺母(30)。



How to Install The Drain

Remove stopper(24), flange(26) and washer(27) from drain body(29). Take off the tailpiece(31). Apply thread tape to tailpiece and install the tailpiece to drain body. Insert drain body kit into the lavatory from underside, and make sure the drain lever hole(28) facing to the back of the lavatory. Screw the flange with washer into the drain body. Tighten the locknut (30) by hand from the underside of the fixture.

注意: 如果需要,可直接在法兰盘(26)底部沿周围涂一圈密封油灰,或其他密封剂,而不使用垫片(27)。

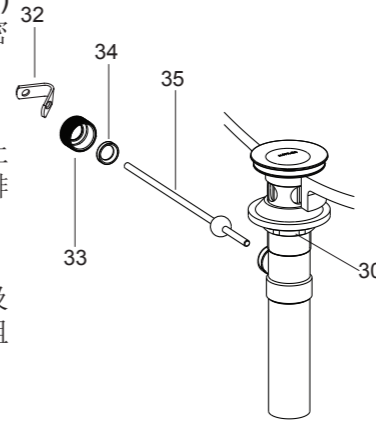
把止水塞(24)放入排水本体中,调整止水塞末端的洞口(25)使其靠近并对正排水杆的洞口。

将固定螺母(33)取下,把塑料垫圈(34)及固定螺母装在球杆(35)上,再把球杆组件插入排水杆的洞口中并穿过止水塞,拧紧固定螺母。

确保球杆(35)指向脸盆后方,用扳手拧紧排水本体上的锁紧螺母(30)。

注意: 在锁紧螺母拧紧后,如法兰盘使用密封油灰,则不可以调整排水本体的位置,否则会破坏油灰密封的密封性。同时去除多余油灰。

把手捻螺丝(36)装到连杆(37)上。用“V”形夹(32)将连杆连到球杆(35)上,将提拉杆(10)插入连杆的孔中,将球杆下推至排水组件全开位置,调整提拉杆的位置。拧紧手捻螺丝(36)。



NOTE: If needed, apply a ring of plumbers putty around the underside of the drain flange(26), instead of using washer(27).

Place stopper(24) into drain body aligning the flat side of stopper hole(25) with the drain lever hole.

Remove the retaining nut(33). Fit the plastic washer(34) and retaining nut onto the ball lever(35). Insert the ball lever assembly into the drain lever hole and through the stopper hole. Tighten the retaining nut.

Be sure that the ball lever(35) points to the back of the lavatory, tighten the locknut(30) on the drain body by wrench.

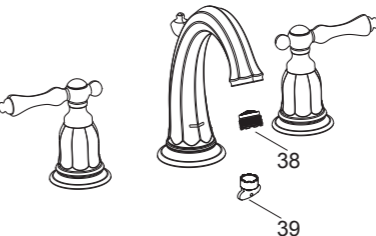
NOTE: Do not reposition the drain if plumbers putty applied after the locknut is tightened, or you may break the putty seal. Wipe away excess plumbers putty.

Assemble thumb screw(36) to link(37), and link onto ball lever rod(35) with “V”-clip(32). Slide lift rod(10) into the hole in link. Push the ball lever down into the open position, and adjust the lift rod. Tighten thumb screw(36).

安装结果检查

检查并确保所有衔接处都已拧紧,确保手柄在关的位置。打开主要供水源和排水系统,检查并修理有漏水的接口。

用工具(39)将起泡器(38)拆下,打开水龙头的冷热水,让水流约一分钟以清除杂质,检查渗漏。冲洗起泡器,关闭水龙头,重新装回起泡器。



Ensure that all coupling nuts are tight. Ensure that the lever handles are in the off position. Turn on the main water supply and drain, and check for leaks. Repair as needed.

Remove the aerator(38) by key(39). Run hot and cold water through faucet for about one minute to remove any debris. Check for leaks. Repair as needed. Remove any debris from the aerator. Shut off the faucet. Reinstall the aerator.

清洗说明

适用于所有加工处理过的表面:以中性肥皂水清洗镀层表面,再以干净的软布彻底擦干整个表面,许多清洁剂,比如氨水、去污粉及洁厕灵等,会对电镀表面造成伤害,切忌使用。

有磨损性的清洁用具或清洁剂也不可用于科勒牌的水龙头及其配件上。

CLEANING INSTRUCTIONS

All Finishes: Clean the finish with mild soap and warm water. Wipe entire surface completely dry with clean soft cloth. Many cleaners may contain chemicals, such as ammonia, chlorine, toilet cleaner etc. which could adversely affect the finish and are not recommended for cleaning.

Do not use abrasive cleaners or solvents on Kohler faucets and fittings.