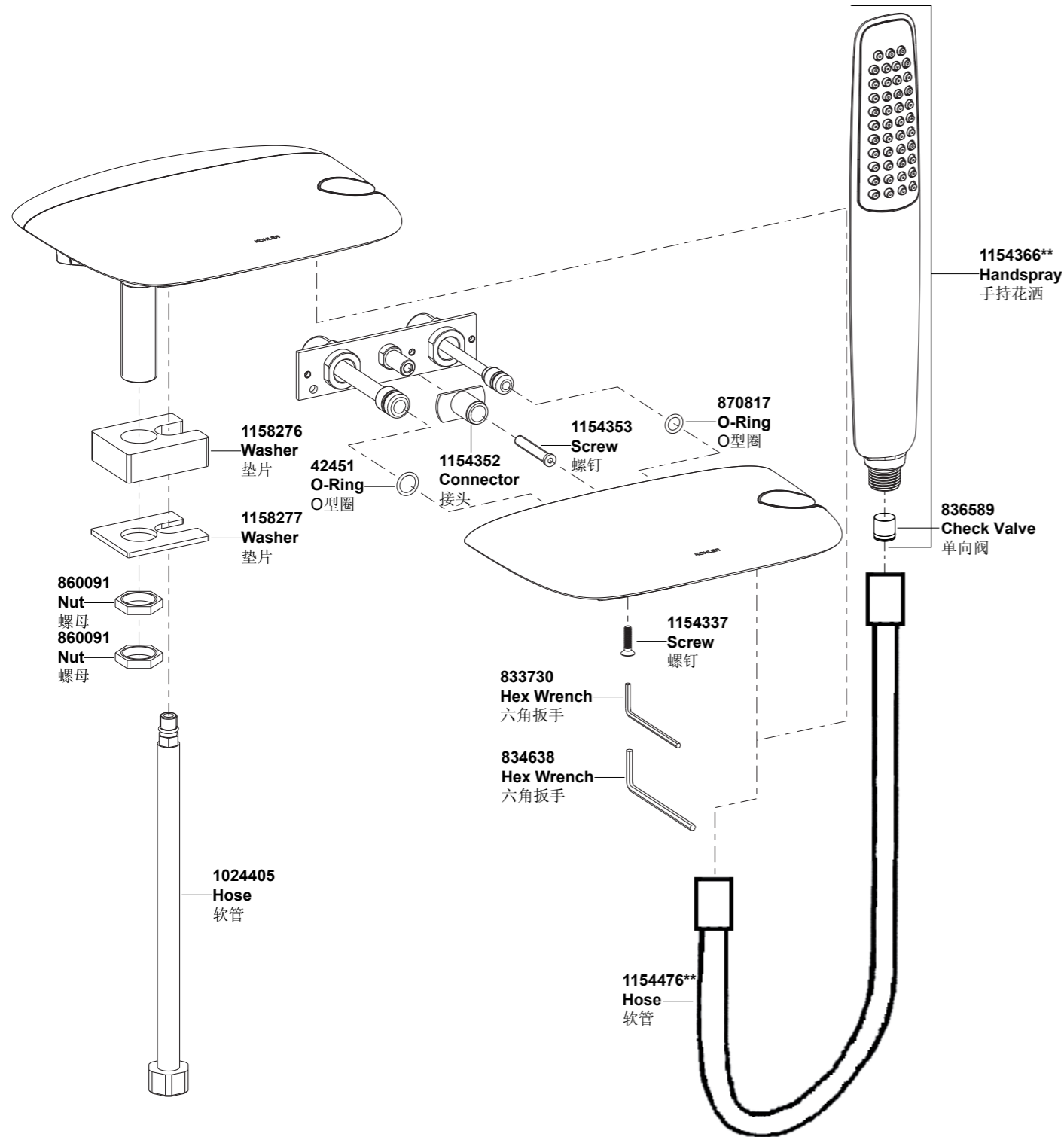


37266T 37267T 浴缸出水口



**订购时请说明颜色编号

**Color code must be specified when ordering

37266T 37267T 浴缸出水口

安装之前

所有的资料是按最新出版的产品资料编写而成。科勒公司保留任何时候不经通知即可改变产品特性、包装或产品可供类型的权利。

说明书包括重要的安装、保养及清洁方面的内容，请把这些资料交给用户阅读。

注意事项：

1. 一定要先彻底冲洗供水管以清除管道中的杂质。
2. 尽可能在安装浴缸之前安装水龙头。
3. 检查供水管有无损坏和漏水。如需要，进行替换和维修。
4. 遵守当地管路安装条例。
5. 切断供水管路。
6. 花洒最高工作压力：0.5Mpa(5bar)。水压超过0.5Mpa(5bar)须安装减压阀。花洒最高工作温度及环境温度：60°C。请特别注意花洒须远离加热器，否则可能损坏花洒，甚至对使用者造成伤害。

BEFORE YOU BEGIN

All information is based on the latest product information available at the time of publication. Kohler Co. reserves the right to make changes in product characteristics, packaging, or availability at any time without notice.

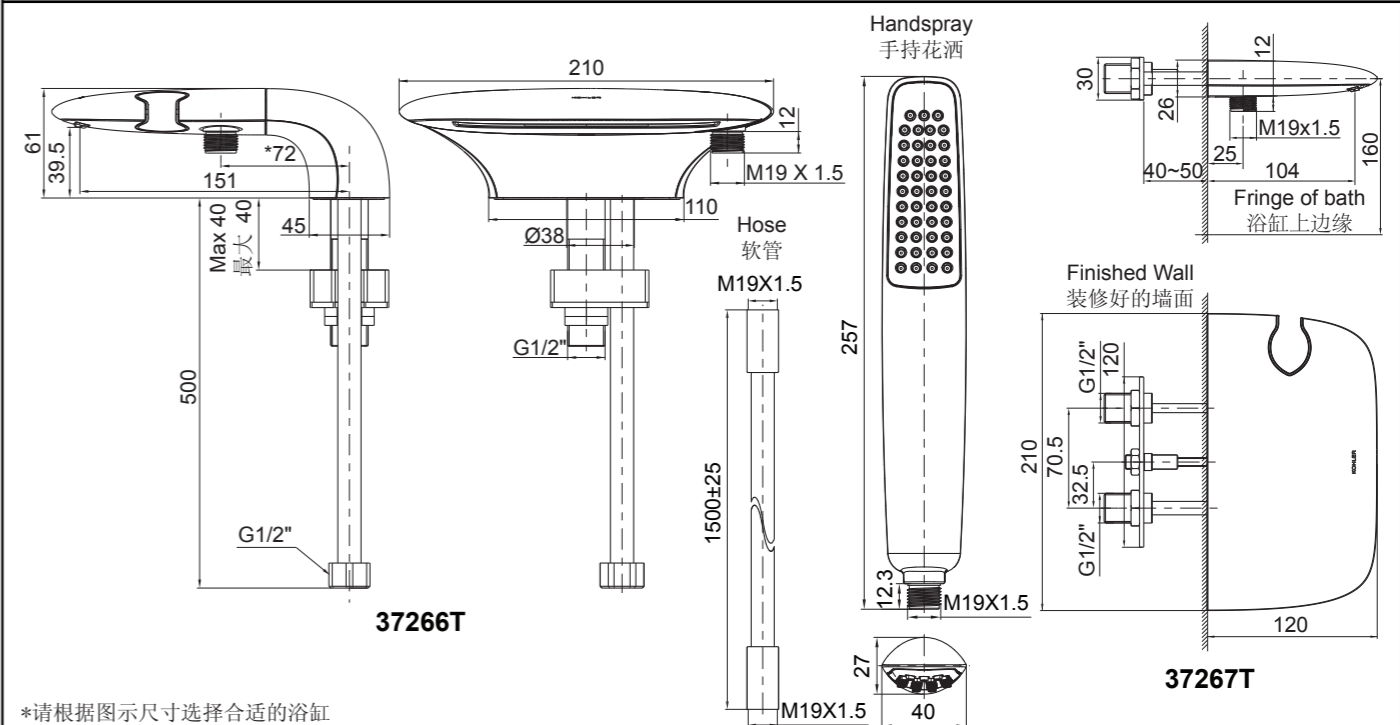
Please leave these instructions for the consumer. They contain important information.

NOTES:

1. Flush the water supply pipes thoroughly to remove debris.
2. If possible, install this faucet before installing the bath.
3. Inspect the supply tubing for damage and leakage. Replace and maintain as necessary.
4. Observe local plumbing codes.
5. Shut off the water supplies to the fitting.
6. The highest working pressure for handspray is 0.5Mpa(5 bars). If it exceeds 0.5Mpa(5 bars), a pressure reducer is needed. The highest water and environment temperature is 60°C. Please keep handspray away from heater, or maybe damage it and hurt user.

安装尺寸

ROUGH-IN DIMENSIONS

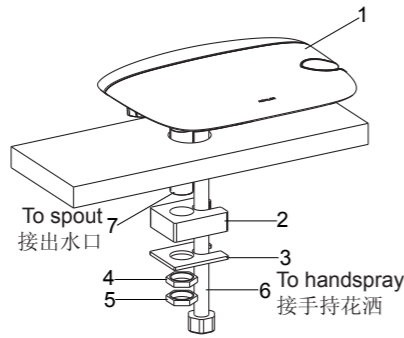


*请根据图示尺寸选择合适的浴缸

安装步骤

如何安装出水口 仅对于37266T

将出水口组件(1)插入浴缸安装孔中。从浴缸下方依次安装垫片(2)、钢垫(3)、螺母(4)和螺母(5)。调整出水口组件使其朝向正前方。用扳手锁紧螺母(4, 5)以固定出水口组件。



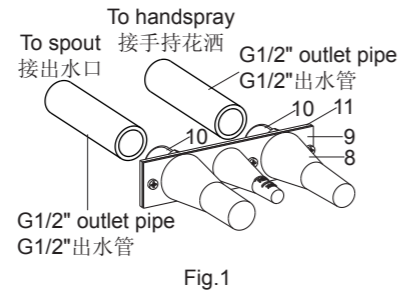
将软管(6)和牙管(7)连接到G1/2"出水管。

仅对于37267T

根据安装尺寸，在垂直面的墙壁上，选择合适的高度安装出水口组件。

在墙面上开一个合适的孔。

注意：如图Fig.1所示，确保装修好的外墙面应处于保护套(8)上的MAX与MIN标记之间。



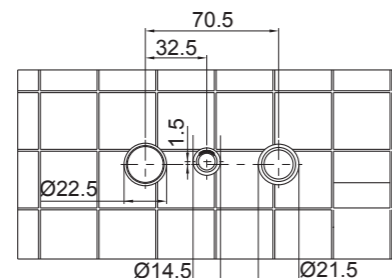
在连接组件(9)的接头(10)上涂螺纹密封胶或缠绕足以密封的密封胶带。将G1/2"出水管接到连接组件上，且保护套上带有MAX和MIN标记一侧朝上。

注意：安装时，保证连接组件轴线方向与墙面垂直，底板(11)水平。

用水泥填平墙面孔。

安装过程中，为了保护阀体，保护罩需留在阀体上。

注意：装修好的墙面孔尺寸如图Fig.2所示。



紧贴墙面切掉保护罩。**注意：**切勿损坏O型圈(12)。

INSTALLATION

How To Install The Spout Only For 37266T

Insert the spout kit(1) into the hole of the bath tub. From underside of the bath tub, install the washer(2), the steel washer(3), the nut(4) and the nut(5). Position the spout kit so that it points to the front. Tighten the nuts(4, 5) with a wrench to secure the spout kit.

Attach the hose(6) and the shank(7) to G1/2" outlet pipes.

Only For 37267T

Determine where the spout kit will be located on vertical wall as rough-in dimensions.

Make a suitable hole in the wall.

NOTE: The out surface of the finished wall should be between the MAX and MIN marks on the protectors(8) as Fig.1 shown.

Use appropriate thread sealants or thread tape on the outlet bushes(10) of the outlet kit(9). Connect G1/2" outlet pipes to the outlet kit, and be sure the side with the MAX and MIN marks on the protector upwards.

NOTE: Ensure the centerline of the outlet kit is perpendicular to the wall, the support plate(11) is level.

Fill in the wall hole with cement.

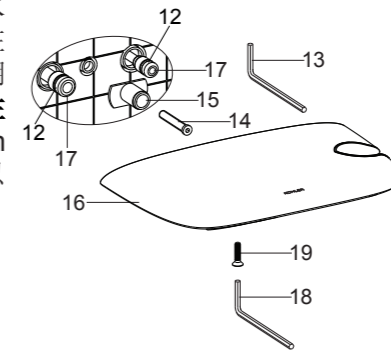
During installation, the protector remain on the valve body.

NOTE: The sizes of the opening holes in the finished wall is as Fig.2 shown.

Cut off the protector against the wall.

NOTE: Don't damage the o-rings(12).

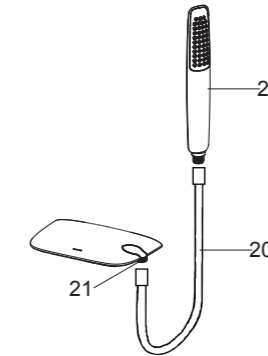
用六角扳手(13)旋紧螺钉(14)将接头(15)固定在墙面上且使接头的两直边水平，螺孔朝下。将出水口组件(16)装在接头上，紧贴墙面且使底部螺钉孔朝下。如装入困难，可调节接头(17)。**注意：**保持出水口组件水平。用2.5mm六角扳手(18)安装螺钉(19)，并锁紧以固定出水口组件。



Tighten the screw(14) with the hex wrench(13) so that the connector(15) is fixed to the finished wall, and ensure two straight edges of the connector is level, the hole downwards. Slide the spout kit(16) onto the connectors till it is against the wall, and make sure the screw hole downwards. Adjust the connector(17) so that the spout kit can be installed onto the connectors if needed. **NOTE:** keep the spout kit horizontally. Install the screw(19) with the 2.5mm hex wrench(18), and tighten it to secure the spout kit.

如何安装手持花洒和软管

去掉软管(20)两端接头的保护套。用软管连接接头(21)和手持花洒(22)。



How To Install The Handspray And The Hose

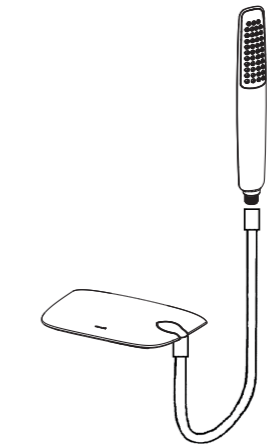
Remove the guards on the outlet connectors of the hose(20). Connect the connector(21) and the handspray(22) with the hose.

安装结果检查

检查并确保所有的衔接螺母都已拧紧，确保把手在关的位置。

打开排水器和主要供水源，检查并修理有漏水的接口。

拆下手持花洒。打开水龙头，让水流约一分钟以清除杂质，检查渗漏。关闭水龙头，重新装回手持花洒。



INSTALLATION CHECKOUT

Ensure that all connections are tight. Ensure that the handle is in the off position.

Turn on the drain and main water supply, and check for leaks. Repair as needed.

Remove the handspray. Turn on faucet. Run hot and cold water through spout about one minute to remove any debris. Check for leaks at this time. Shut off the faucet. Reinstall the handspray.

清洗说明

适用于所有加工处理过的表面：以中性肥皂水清洗镀层表面，再以干净的软布彻底擦干整个表面，许多清洁剂，比如氨水、去污粉及洁厕灵等，会对电镀表面造成伤害，切忌使用。

有磨损性的清洁用具或清洁剂也不可适用于科勒牌的水龙头及其配件上。

CLEANING INSTRUCTIONS

All Finishes: Clean the finish with mild soap and warm water. Wipe entire surface completely dry with clean soft cloth. Many cleaners may contain chemicals, such as ammonia, chlorine, toilet cleaner etc, which could adversely affect the finish and are not recommended for cleaning.

Do not use abrasive cleaners or solvents on Kohler faucets and fittings.