

7469T-B4 Recessed Bath & Shower Faucet

BEFORE YOU BEGIN

All information is based on the latest product information available at the time of publication. Kohler Co. reserves the right to make changes in product characteristics, packaging, or availability at any time without notice. Please leave these instructions for the consumer. They contain important information.

NOTES:

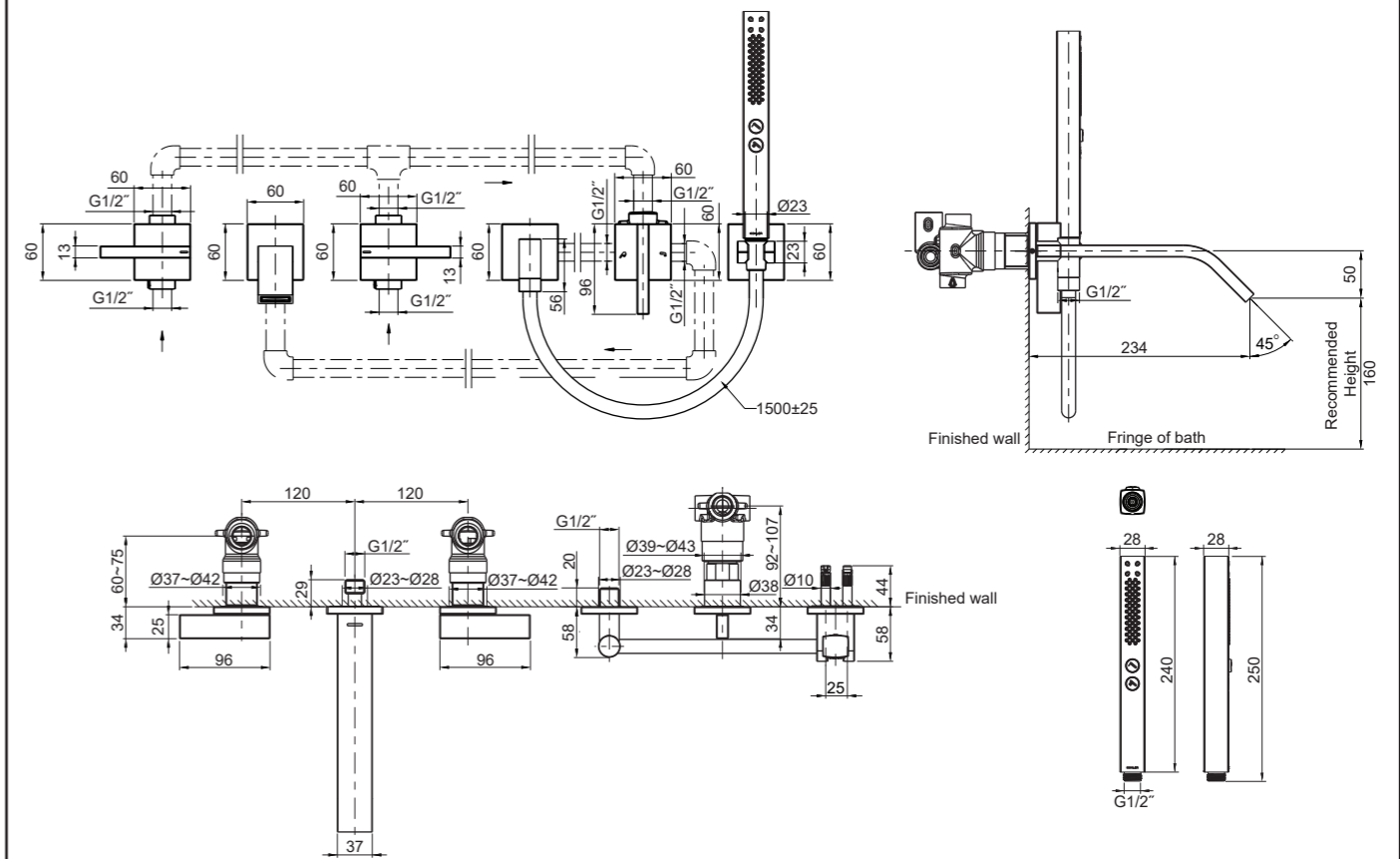
1. Flush the water supply pipes thoroughly to remove debris.
2. Inspect the supply tubing for damage. Replace as necessary.
3. Shut off the water supplies to the fitting.
4. Observe local plumbing codes.
5. Check for leaks before covering the pipes, repairs as needed.
6. The highest working pressure for handshower & showerhead is 0.5MPa(5bar). If it exceeds 0.5MPa(5bar), a pressure reducer is needed. The highest water and environment temperature is 60°C. Please keep handshower, showerhead and shower arm away from heater, or it may become damaged and cause injury to the user.
7. Please ensure only apply water pressure test on the product, and empty the air in pipe and faucet thoroughly before the test. Please ensure test pressure below 0.8MPa(8bar) and test duration within 30 minutes.

HANDLE OPERATION

For two flow-control handles: Left handle opens with turning counter-clockwise. Right handle opens with turning clockwise.

For diverter handle: Turn left for the handshower, turn right for the bath spout, middle position for both.

ROUGH-IN DIMENSIONS

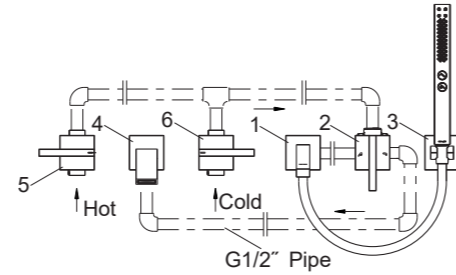


INSTALLATION

How to Construct Hard Piping Loop

Suggest to connect and support products by constructing a G1/2" hard pipe loop to connect and support products as shown.

NOTE: If this product is installed above the short side of the bath tub in the finished wall, need to adjust the location of the elbow(1), the diverter(2) and the bracket(3), install them above the bath spout(4) and the flow-control handles(5, 6). Ensure that the G1/2" hard pipe loop is connected correctly.

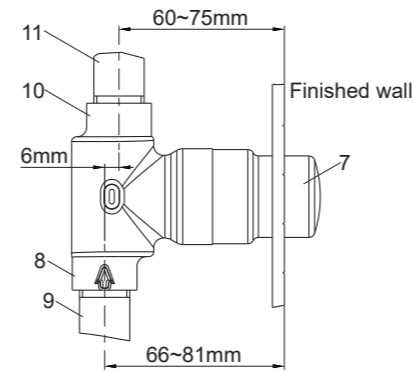


How to Install the Flow-control Valve Bodies

Do not take off guards(7) at this moment.

Connect the ends(8) with arrow mark to G1/2" inlet pipes(9)(**NOTE:** Make sure the arrows point up.). Connect the other ends(10) to the G1/2" outlet pipes(11). Keep the distance from centerline of the outlet pipes to the surface of the finished wall must be between 60mm and 75mm. Keep the distance from centerline of the inlet pipes to the surface of the finished wall must be between 66mm and 81mm.

NOTE: The body with red dot is installed on the left.

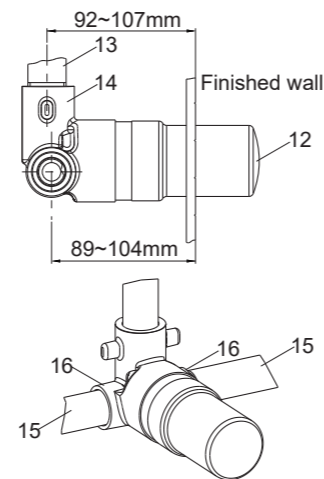


How to Install the Diverter Body

Do not take off guard(12) at this moment.

Connect the G1/2" inlet pipe(13) to the inlet end(14) on the diverter body. Connect two G1/2" outlet pipes(15) to two outlet ends(16) on the left and right sides. Keep the distance from centerline of the outlet pipes to the surface of the finished wall must be between 89mm and 104mm. Keep the distance from centerline of the inlet pipe to the surface of the finished wall must be between 92mm and 107mm.

NOTE: Make sure the inlet of the diverter body is upward.

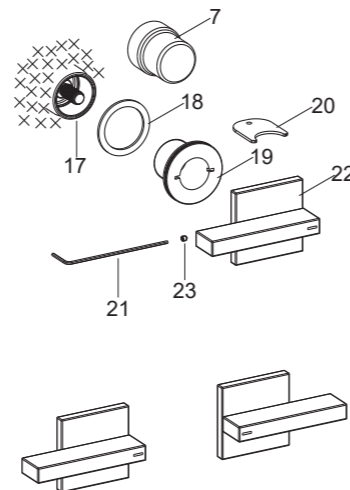


How to Install the Flow-control Handles

Remove and discard the guards(7) from the flow-control bodies(17) after completed the finished wall.

Put the rubber washers(18) into the rear groove of the bases(19). Screw the bases onto the flow-control bodies until against the finished wall with the key(20). Loosen the screws(23) of the diverter handle kits(22) with the hex wrench(21). Keep screw hole of the left handle kit facing left horizontally and the screw hole of the right handle kit facing right horizontally. Install the handle kits(22) onto the bases with the valves closed(**NOTE:** The handle kit with red mark should be installed on the left side.). Secure handle kits by tightening the screws with the hex wrench.

The illustration shown is the correct position of the handles in the off position.

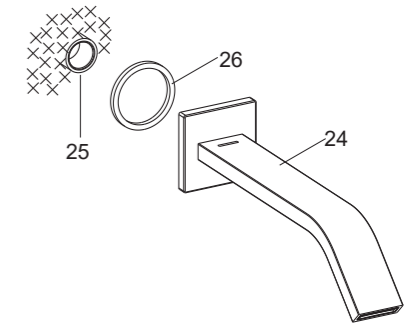


How to Install the Spout

The G1/2" female outlet pipe(25) is installed before installing the bath spout kit(24).

NOTE: The outlet pipe should be not beyond, but below the finished wall 14~19mm, and be vertical with finished wall as well.

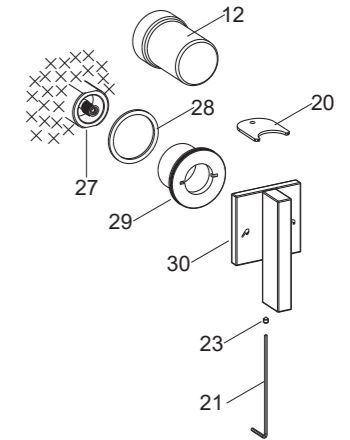
Put the rubber washer(26) into the rear groove of the spout kit. Apply tape or thread sealant to the threads on the bath spout kit. Tighten the spout kit onto the outlet pipe by hand until against the finished wall. Adjust the spout kit downward.



How to Install the Diverter Handle

Remove and discard the guard(12) from the diverter body(27) after completed the finished wall.

Put the rubber washer(28) into the rear groove of the base(29). Screw the base onto the diverter body until against the finished wall with the key(20). Loosen the screw(23) of the diverter handle kit(30) with the hex wrench(21). Keep the screw hole of the diverter handle kit facing downwards, install the handle kit onto the base. Secure handle kit by tightening the screw with the hex wrench.

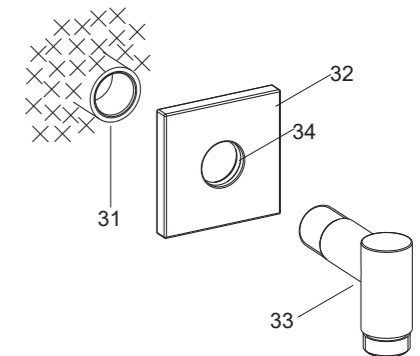


How to Install the Elbow

The G1/2" female outlet pipe(31) is installed before installing the elbow.

NOTE: The outlet pipe should be not beyond, but below the finished wall within 5mm, and be vertical with finished wall as well.

Slide the escutcheon(32) onto the long end of the elbow(33) (**NOTE:** Don't squeeze out the o-ring(34).). Apply tape or thread sealant to the threads on the long end of the elbow. Tighten the elbow to the outlet pipe. Adjust and make the other thread end of the elbow faces down. Push the escutcheon against the finished wall.



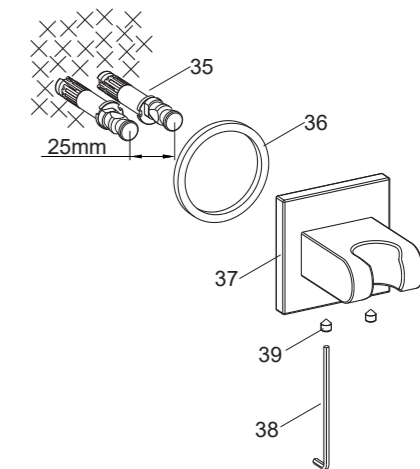
How to Install the Bracket

Determine a suitable location after completed the finished wall to install the bracket.

NOTE: The anchor is eccentric. Eccentric distance is 2mm. Make sure the center distance of the anchors is 25mm.

Mark anchor(35) mounting hole locations on the wall according to the dimension. Drill holes with diameter 10mm and depth 50mm. Knock the anchors into the holes with a rubber hammer. Turn right the anchors with an adjustable spanner until against the finished wall. Adjust the anchors so that the center distance is 25mm.

Put the rubber washer(36) into the rear groove of the bracket kit(37). Loosen the screws(39) of the bracket kit with the hex wrench(38). Slide the bracket kit onto the anchors. Keep the screw holes of the bracket kit downwards. Tighten the screws with the hex wrench to secure the bracket kit.



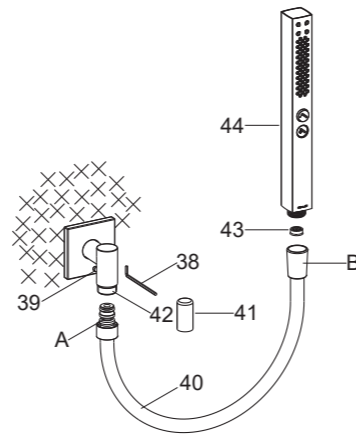
How to Install the Hose and Handshower

Remove the protector(41) from the end A of the hose(40). Loosen the screw(39) of the elbow with the hex wrench(38). Tighten the end A to the short thread(42) of the elbow. Tighten the screw with the hex wrench.

Install regulator(43) into the handshower(44) inlet if needed.

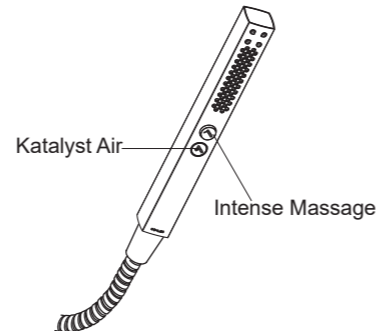
Remove the protector from the end B of the hose. Tighten the end B to the handshower.

Hang the handshower on the bracket.



How to Operate the Handshower

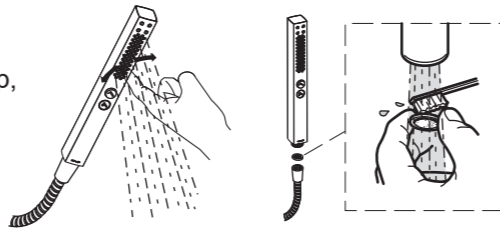
Press the buttons of the handshower to change the water flow.



How to Maintain the Handshower

Any debris or mineral build-up may cause the flow stream to become distorted or reduce the flow rate. To remove the debris or mineral build-up, run water through the handshower, firmly press or rub your finger back and forth across the rubber nozzles.

Remove and clean the screen washer.

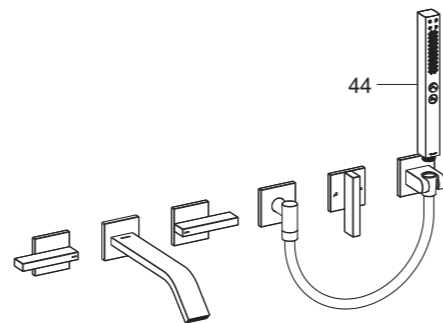


INSTALLATION CHECKOUT

Ensure that all coupling are tight. Ensure that the handles are in the off position.

Turn on the drain and main water supply, and check for leaks. Repair as needed.

Remove the handshower(44). Turn on flow-control handles. Run hot and cold water through spout and hose for about one minute to remove any debris. Check for leak at this time. Shut off the flow-control handles. Reinstall the handshower.

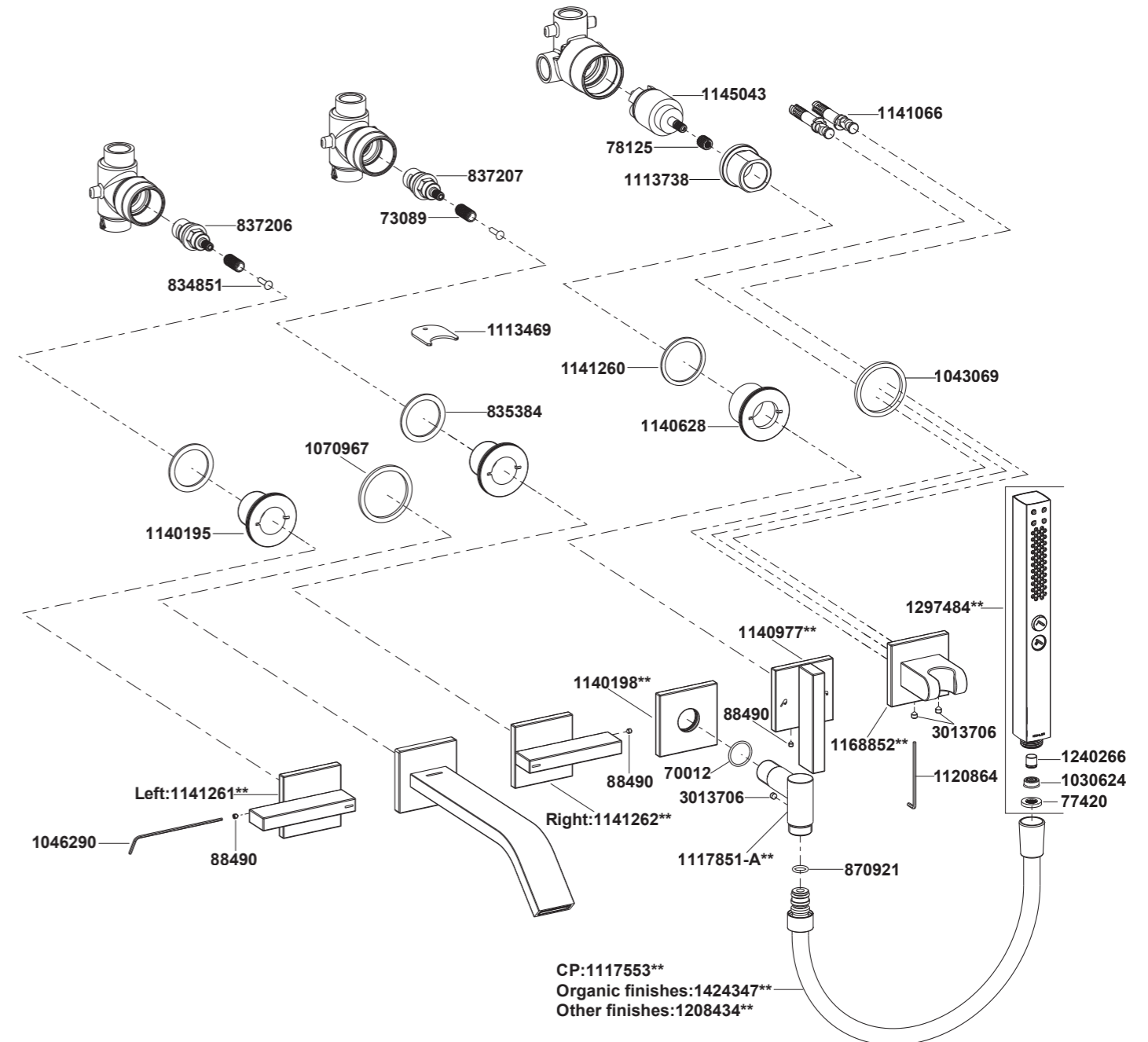


CLEANING INSTRUCTIONS

All Finishes: Clean the finish with mild soap and warm water. Wipe entire surface completely dry with clean soft cloth. Many cleaners may contain chemicals, such as ammonia, chlorine, toilet cleaner etc, which could adversely affect the finish and are not recommended for cleaning.

Do not use abrasive cleaners or solvents on Kohler faucets and fittings.

7469T-B4 Recessed Bath & Shower Faucet



**Color code must be specified when ordering