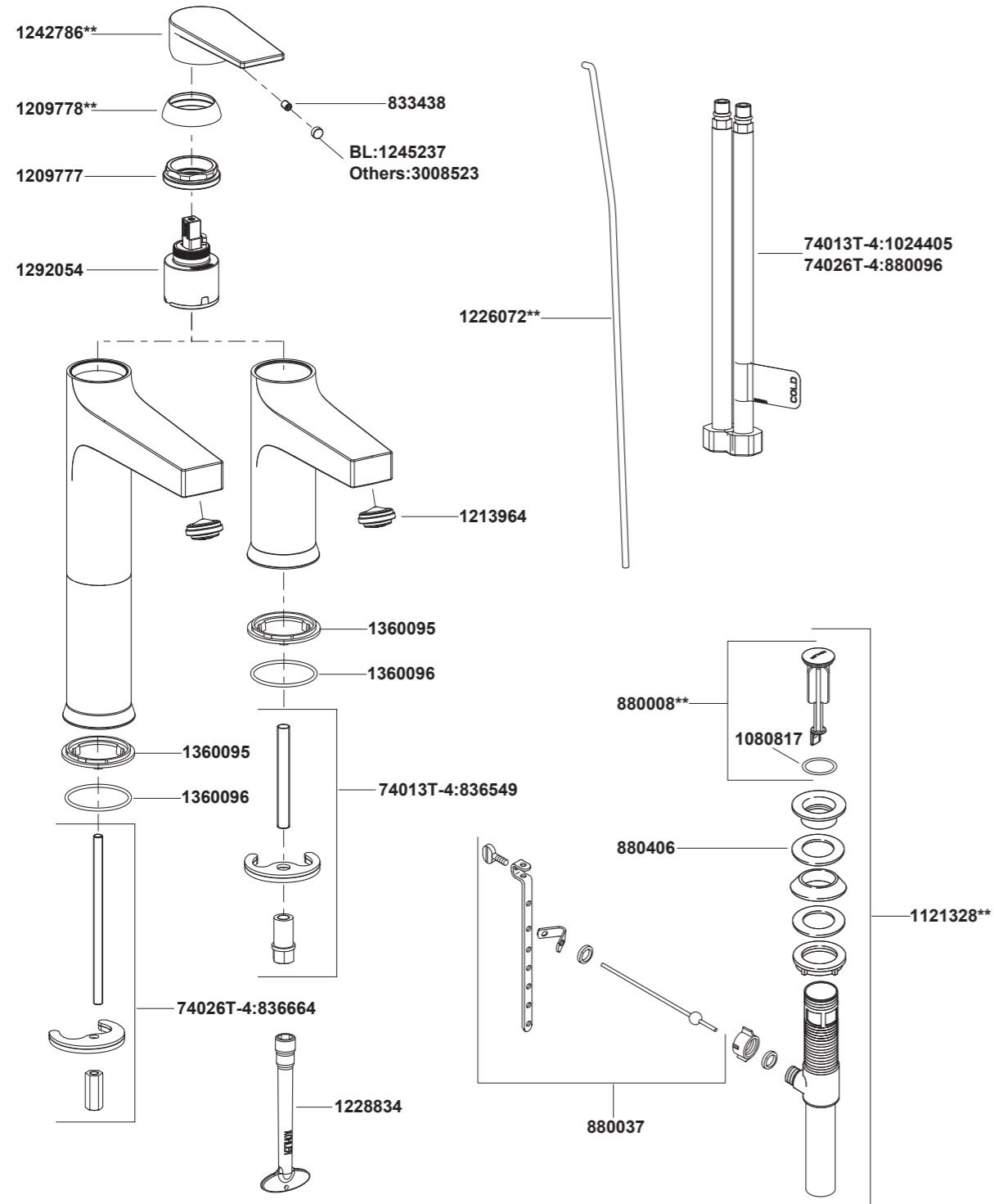


74013T-4 单把脸盆龙头
74026T-4 单把碗盆龙头



**订购时请说明颜色编号
**Color code must be specified when ordering

74013T-4 单把脸盆龙头
74026T-4 单把碗盆龙头

安装之前

所有的资料是按最新出版的产品资料编写而成。科勒公司保留任何时候不经通知即可改变产品特性、包装或产品可供类型的权利。

说明书包括重要的安装、保养及清洁方面的内容，请把这些资料交给用户阅读。

注意事项：

1. 一定要先彻底冲洗供水管以清除管道中的杂质。
2. 尽可能在安装脸盆之前安装水龙头。
3. 检查供水管有无损坏和漏水。如需要，进行替换和维修。
4. 遵守当地管路安装条例。
5. 切断供水管路。

BEFORE YOU BEGIN

All information is based on the latest product information available at the time of publication. Kohler Co. reserves the right to make changes in product characteristics, packaging, or availability at any time without notice.

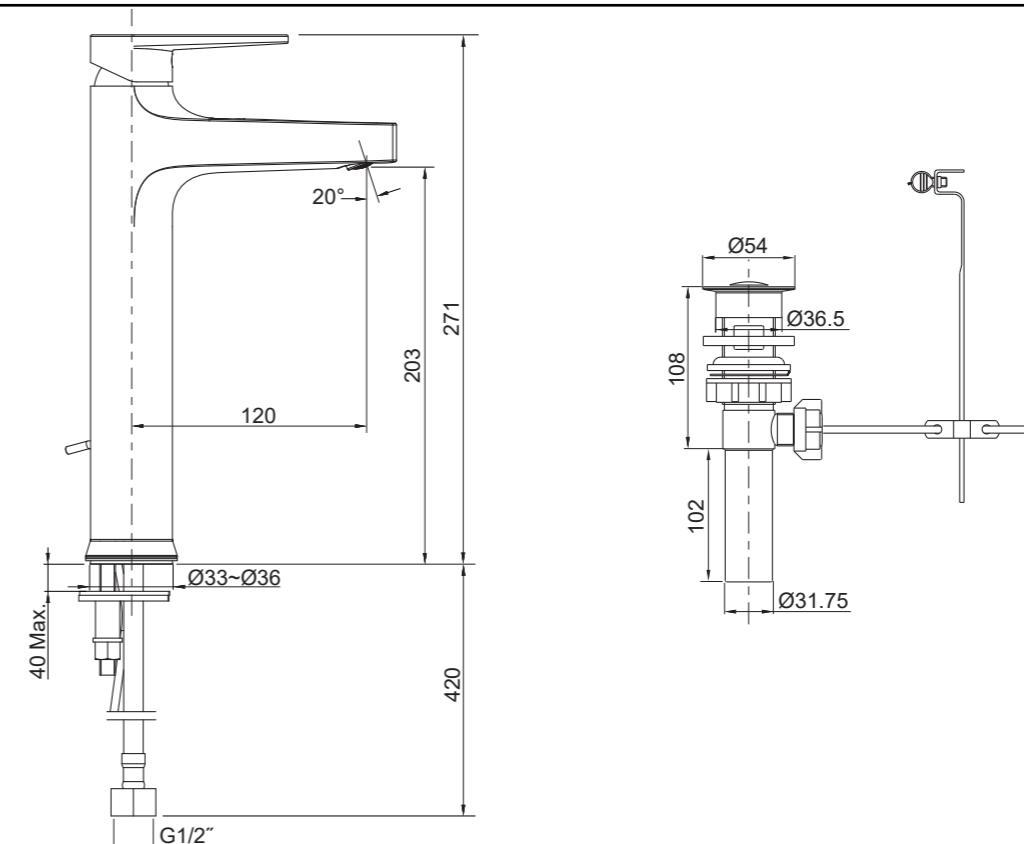
Please leave these instructions for the consumer. They contain important information.

NOTES:

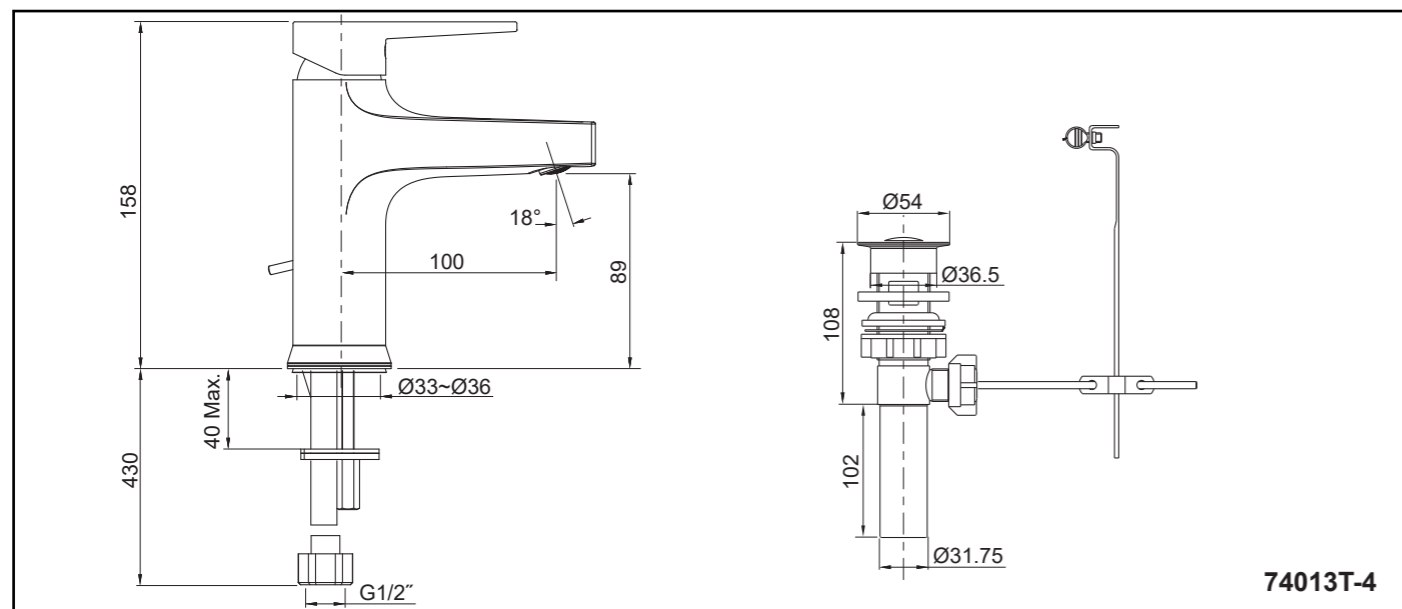
1. Flush the water supply pipes thoroughly to remove debris.
2. If possible, install this faucet before installing the lavatory.
3. Inspect the supply tubing for damage and leakage. Replace and maintain as necessary.
4. Observe local plumbing codes.
5. Shut off the water supplies to the fitting.

安装尺寸

ROUGH-IN DIMENSIONS



74026T-4



74013T-4

安装步骤

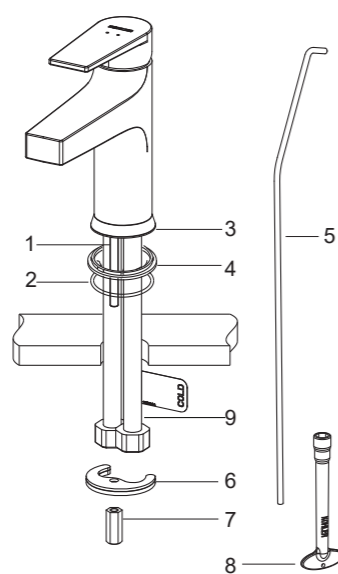
INSTALLATION

如何安装出水口

先将固定螺栓(1)安装到水龙头底部(3)处, 将提拉杆(5)插入到水龙头后侧孔中, 将O型圈(2)放入底座(4)底部槽中, 然后将底座通过供水软管(9), 提拉杆和固定螺栓嵌入龙头底部槽中。

将水龙头组件插入脸盆的安装孔中, 调整水龙头, 从脸盆的下方把托架(6, 橡胶垫片放在上面)套入固定螺栓, 并用工具(8)锁紧螺母(7)以固定水龙头。

把软管接到水源, 当您面对水龙头时左边为热水, 右边为冷水, 冷水管有“COLD”签。



How to Install the Spout

Install the mounting stud(1) onto the bottom of faucet (3). Insert lift rod(5) to the hole at the rear of the body. Put O-ring(2) onto the backside of base(4). Install the base into the underside groove of faucet body through the hoses(9), lift rod and mounting stud.

Insert the faucet assembly into the lavatory hole. Position the faucet. From underside of the lavatory, place the bracket(6, Rubber washer is on the top) onto the mounting stud, and tighten the nut(7) by tool(8) to secure the faucet.

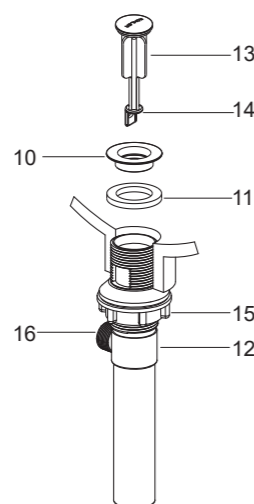
Attach the hoses to water supplies. When facing front of the faucet, the left hose connects to hot water, the right hose with "COLD" label connects to cold water.

如何安装提拉排水组件

将止水塞(13)、法兰盘(10)及垫片(11)从排水本体(12)上取下。把排水本体组件从脸盆下方插到脸盆中, 使排水杆口(16)朝后方。把法兰盘带垫片旋入到排水本体中, 从下方用手拧紧锁紧螺母(15)。

注意: 如需要, 可直接在法兰盘(10)底面沿周围涂一圈密封油灰, 或其他密封剂, 而不使用垫片(11)。

把止水塞(13)放入排水本体中, 调整止水塞末端的洞口(14)使其靠近并对正排水杆的洞口。



How to Install the Drain

Remove stopper(13), flange(10) and washer(11) from drain body(12). Insert drain body kit into the lavatory from underside, and make sure the drain lever hole(16) facing to the back of the lavatory. Screw the flange with washer into the drain body. Tighten the locknut(15) by hand from the underside of the lavatory.

NOTE: If needed, apply a ring of plumbers putty around the underside of the drain flange(10), instead of using washer(11).

Place stopper(13) into drain body aligning the flat side of stopper hole(14) with the drain lever hole.

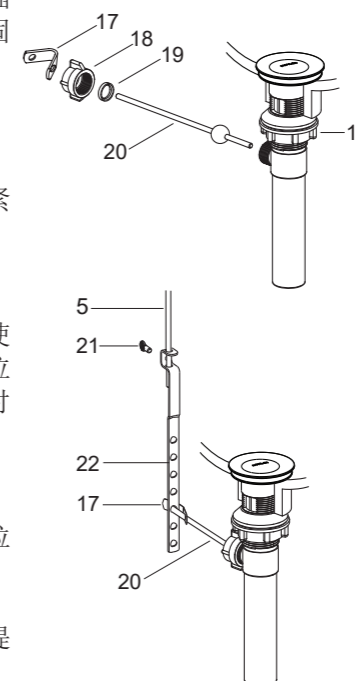
将固定螺母(18)取下, 把塑料垫圈(19)及固定螺母装在球杆(20)上, 把球杆组件插入排水杆的洞口中并穿过止水塞, 拧紧固定螺母。

确保球杆(20)指向脸盆后方, 用扳手拧紧排水本体上的锁紧螺母(15)。

注意: 在锁紧螺母拧紧后, 如果法兰盘使用密封油灰, 则不可以调整排水本体的位置, 否则会破坏油灰密封的密封性。同时去除多余油灰。

把手捻螺丝(21)装到连杆(22)上。用“V”形夹(17)将连杆连到球杆(20)上, 将提拉杆(5)插入连杆的孔中。

将球杆下推至排水组件全开位置, 调整提拉杆的位置。拧紧手捻螺丝(21)。



Remove the retaining nut(18). Fit the plastic washer(19) and retaining nut onto the ball lever(20). Insert the ball lever assembly into the drain lever hole and through the stopper hole. Tighten the retaining nut.

Be sure that the ball lever(20) points to the back of the lavatory, tighten the locknut(15) on the drain body by wrench.

NOTE: Do not reposition the drain if plumbers putty applied after the locknut is tightened, or you may break the putty seal. Wipe away excess plumbers putty.

Assemble thumb screw(21) to link(22), and link onto ball lever(20) with "V"-clip(17). Slide lift rod(5) into the hole in link.

Push the ball lever down to the open position, and adjust the lift rod. Tighten thumb screw(21).

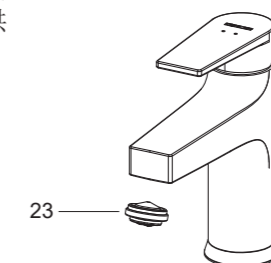
使用说明

轻轻提起把手, 顺时针旋转把手为热水, 逆时针旋转把手为冷水。

安装结果检查

检查并确保所有的衔接螺母都已拧紧, 确保把手在关的位置。打开排水器和主要供水源, 检查并修理有漏水的接口。

用硬币将起泡器(23)拆下, 打开水龙头的冷热水, 让水流约一分钟以清除杂质。冲洗起泡器, 在关闭水龙头后, 重新装回起泡器。



HANDLE OPERATION

Lift handle gently. Turn clockwise for hot water, turn counter-clockwise for cold water.

INSTALLATION CHECKOUT

Ensure that all connections are tight. Ensure that the handle is in the off position. Turn on the drain and main water supply, and check for leaks. Repair as needed.

Remove the aerator(23) by coin. Turn on the faucet. Run hot and cold water through the spout for about one minute to remove any debris. Remove debris from the aerator. Shut off the faucet and reinstall the aerator.

清洗说明

适用于所有加工处理过的表面: 以中性肥皂水清洗镀层表面, 再以干净的软布彻底擦干整个表面, 许多清洁剂比如氨水、去污粉以及洁厕灵等, 会对电镀表面造成伤害, 切忌使用。

有磨损性的清洁用具或清洁剂也不可用于科勒牌的水龙头及其配件上。

CLEANING INSTRUCTIONS

All Finishes: Clean the finish with mild soap and warm water. Wipe entire surface completely dry with clean soft cloth. Many cleaners may contain chemicals, such as ammonia, chlorine, toilet cleaner etc. which could adversely affect the finish and are not recommended for cleaning.

Do not use abrasive cleaners or solvents on Kohler faucets and fittings.