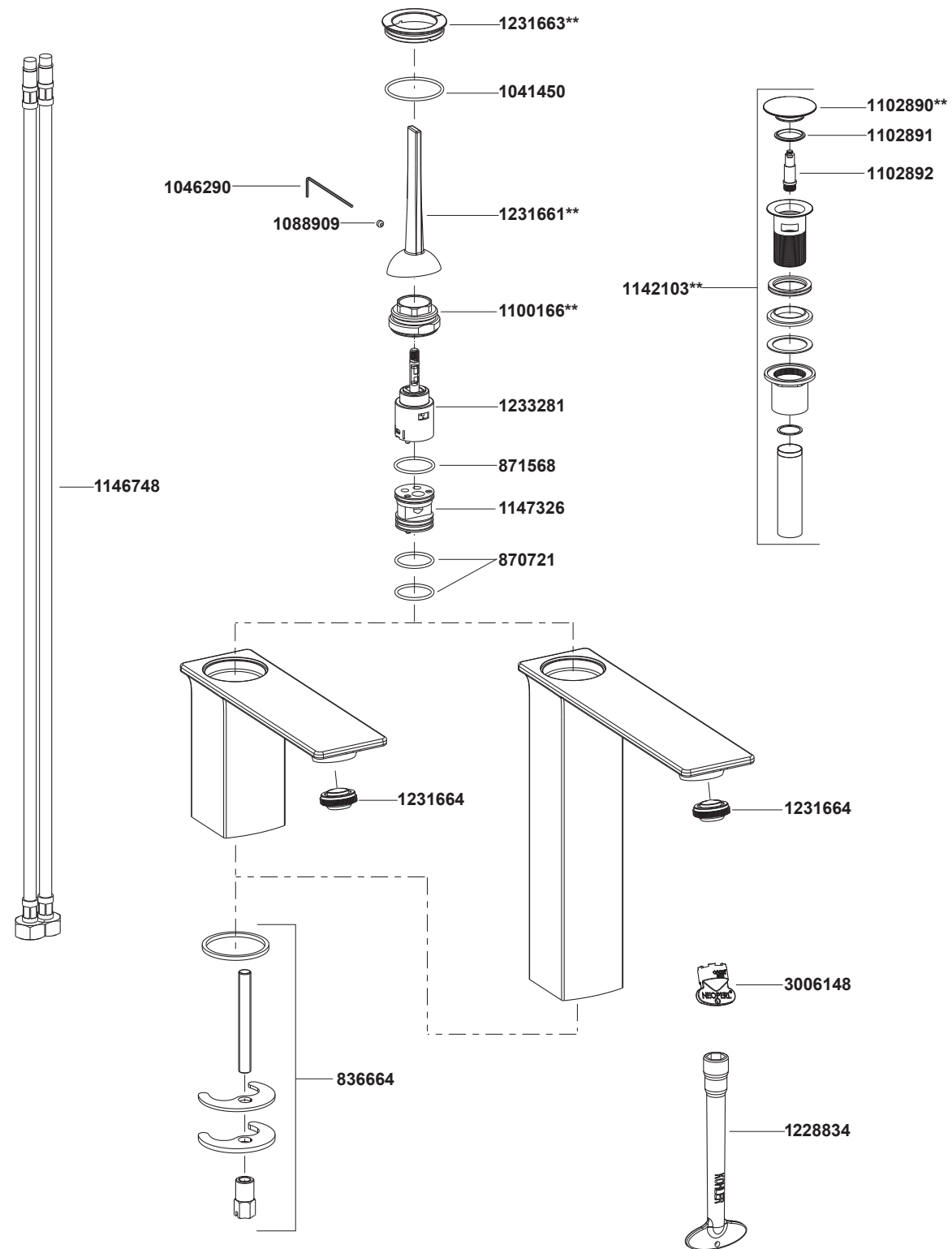


72842T-4 Single Lever Lavatory Faucet(Mini)
72843T-4 Single Lever Tall Lavatory Faucet(Mini)



**Color code must be specified when ordering.
NOTE: For all Asia pacific regions (excluding China) add SP (SPxxxxxx**) in front of the part number when ordering.

72842T-4 Single Lever Lavatory Faucet(Mini)
72843T-4 Single Lever Tall Lavatory Faucet(Mini)

BEFORE YOU BEGIN

All information is based on the latest product information available at the time of publication. Kohler Co. reserves the right to make changes in product characteristics, packaging, or availability at any time without notice.

Please leave these instructions for the consumer. They contain important information.

NOTES:

1. Flush the water supply pipes thoroughly to remove debris.
2. If possible, install this faucet before installing the lavatory.
3. Inspect the supply tubing for damage and leakage. Replace and maintain as necessary.
4. Observe local plumbing codes.
5. Shut off the water supplies to the fitting.

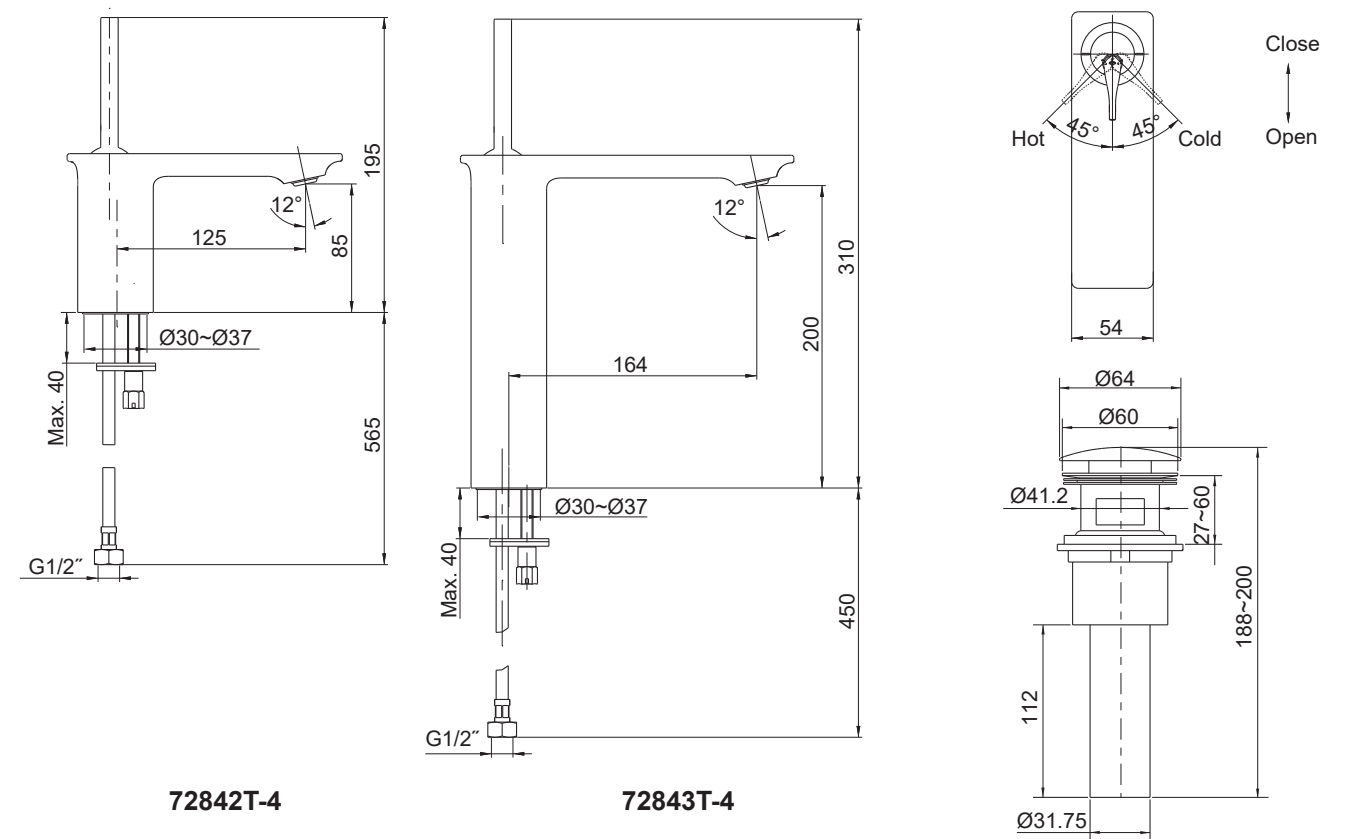
HANDLE OPERATION

Operation for open and close, hot and cold water as shown below.

STANDARD APPLICABLE

Special model meets or exceeds the following at date of manufacture: TIS

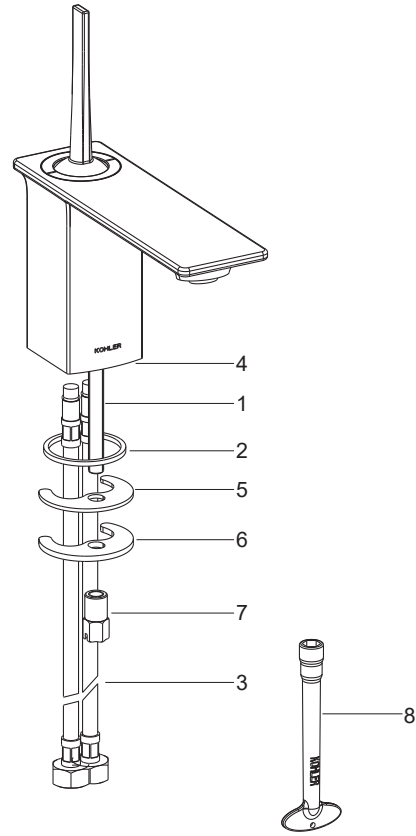
ROUGH-IN DIMENSIONS



72842T-4

72843T-4

INSTALLATION

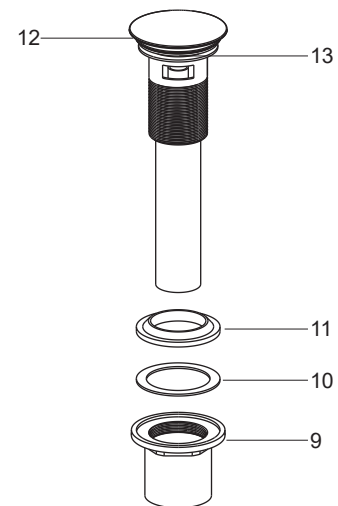


How to Install the Spout

Screw the stud(1) to the thread hole on the bottom of faucet(4). Put the washer(2) into the bottom of faucet through the flexible hoses(3) and the stud. Insert hoses and stud into the hole of lavatory.

Position the faucet. From underside of the lavatory, fit the washer(5), washer(6) and nut(7) on the stud. Tighten the nut by tool(8) to secure the faucet.

Attach the hoses to water supplies. The hose with "COLD" label connects to cold water.



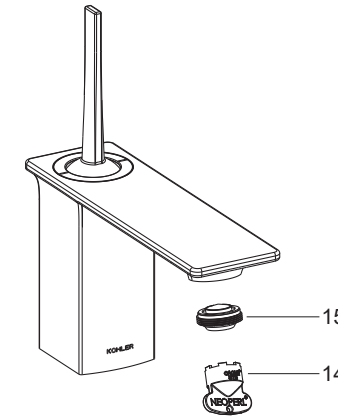
How to Install the Drain

Remove the locknut(9), plastic washer(10) and the rubber gasket(11) from the drain body. Insert the drain body into the lavatory. Install the rubber gasket (Tapered side up), plastic washer and locknut back to the drain body in turn. Tighten the locknut.

NOTE: If needed, apply a ring of plumbers putty or other sealants around the underside of the drain flange(12), instead of using rubber washer(13).

Do not reposition the drain after the locknut is tightened, or you may break the putty or sealant seal.

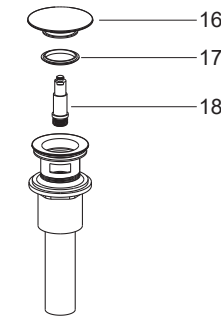
INSTALLATION CHECKOUT



Ensure that all coupling nuts are tight. Ensure that the handle is in the off position.

Turn on the drain and main water supply, and check for leaks. Repair as needed.

Remove the aerator(15) with the key(14) provided. Turn on faucet handle. Run hot and cold water through spout for about one minute to remove any debris. Check for leaks at this time. Remove any debris from the aerator assembly. Shut off the faucet. Reinstall the aerator assembly.



Replacing the Washer and Piston Kit

Turn counterclockwise to remove the stopper(16). Take out washer(17). Replace with a new one. Turn counterclockwise to remove the piston kit(18). Replace with a new one. Reinstall stopper and washer.

CLEANING INSTRUCTIONS

All Finishes: Clean the finish with mild soap and warm water. Wipe entire surface completely dry with clean soft cloth. Many cleaners may contain chemicals, such as ammonia, chlorine, toilet cleaner etc, which could adversely affect the finish and are not recommended for cleaning.

Do not use abrasive cleaners or solvents on Kohler faucets and fittings.