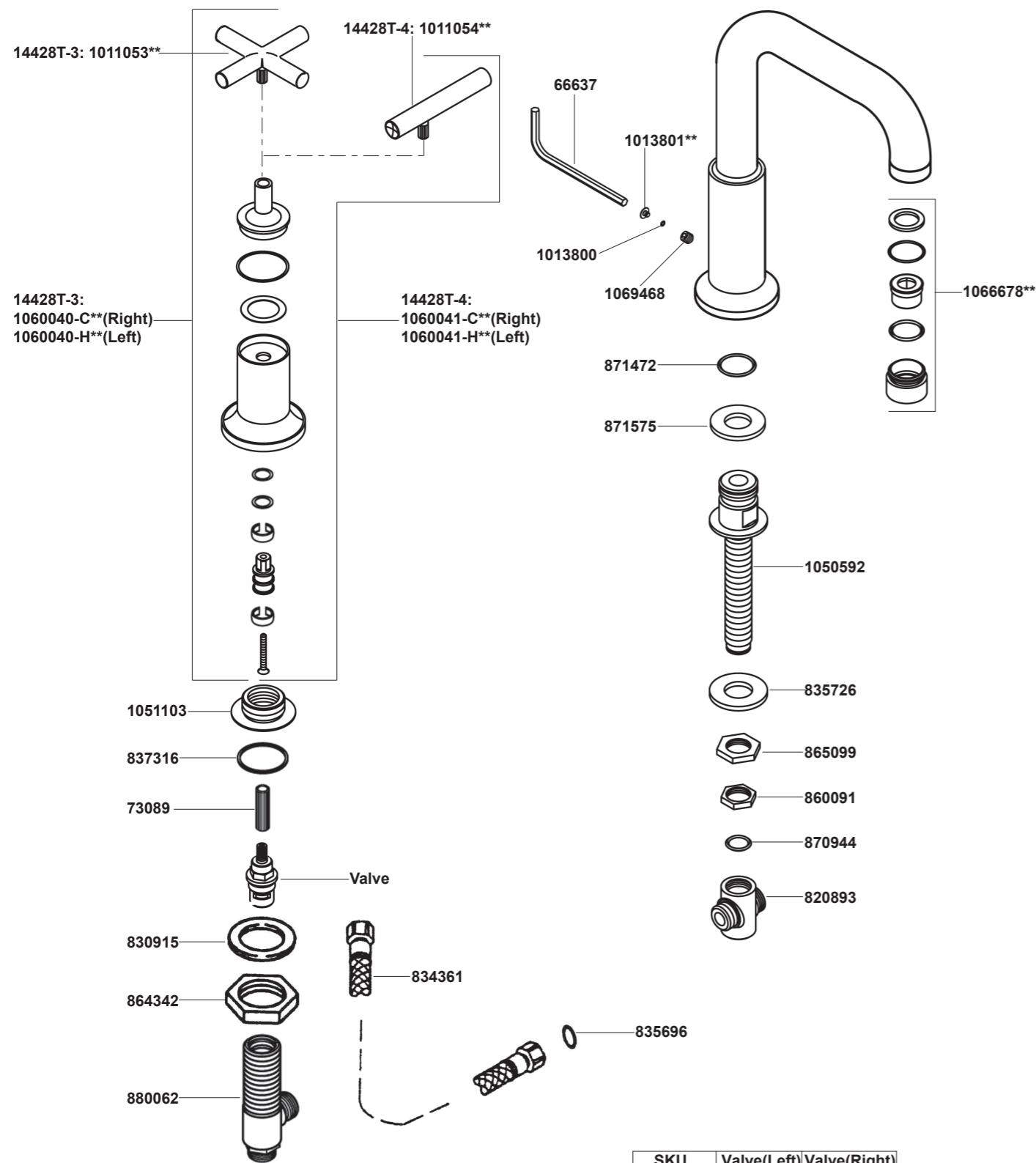


### 14428T Deck-Mount Bath Faucet



SKU	Valve(Left)	Valve(Right)
14428T-3**	835750	835749
14428T-4**	837206	837207

\*\*Color code must be specified when ordering

### 14428T Deck-Mount Bath Faucet

#### BEFORE YOU BEGIN

All information is based on the latest product information available at the time of publication. Kohler Co. reserves the right to make changes in product characteristics, packaging, or availability at any time without notice.

Please leave these instructions for the consumer. They contain important information.

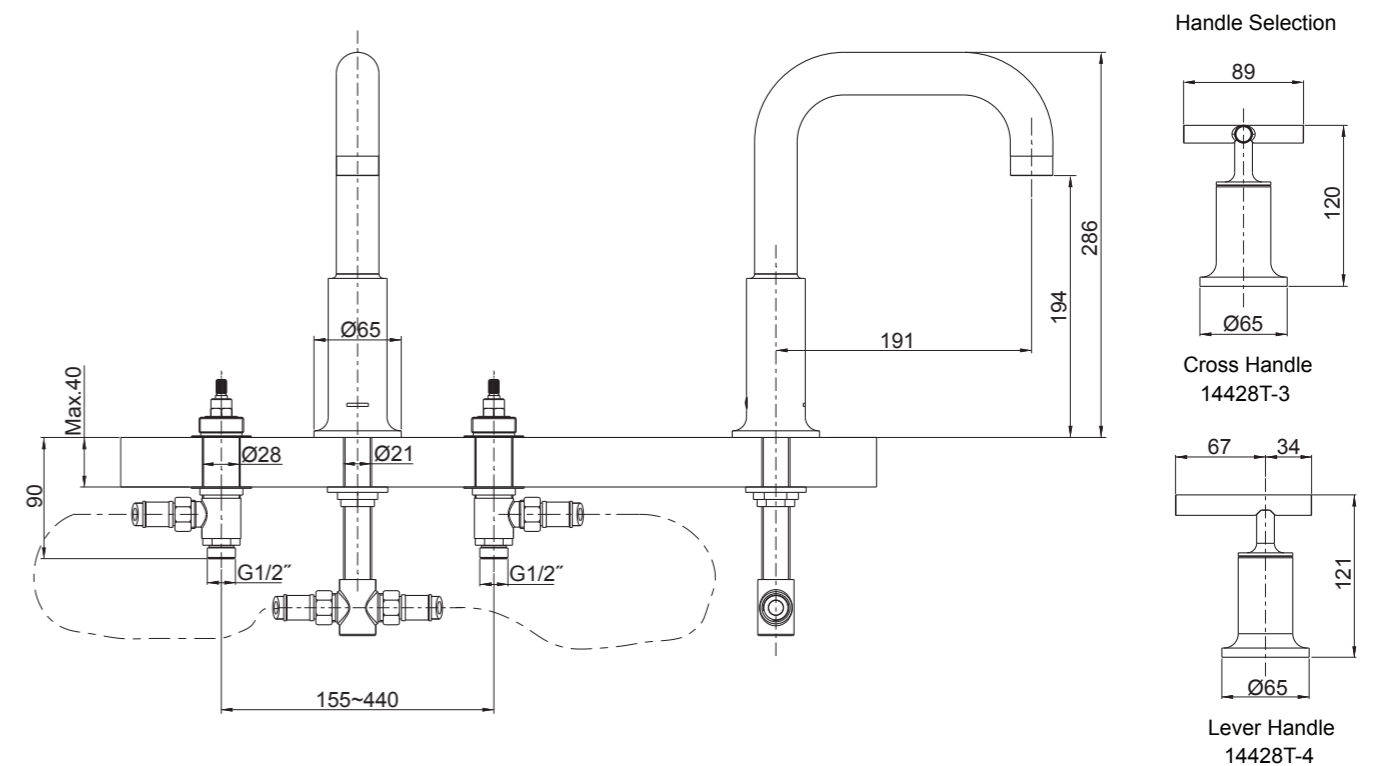
#### NOTES:

1. Shut off the water supplies to the fitting.
2. Inspect the supply tubing for damage. Replace as necessary.
3. Observe local plumbing codes.
4. If possible, install this faucet before installing the tub.

#### HANDLE OPERATION

Left handle opens with one-quarter turning counter-clockwise. Right handle opens with one-quarter turning clockwise(Lever Handle). Left handle opens with one-quarter turning clockwise. Right handle opens with one-quarter turning counter-clockwise(Cross Handle).

#### ROUGH-IN DIMENSIONS



## INSTALLATION

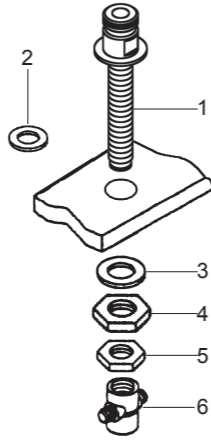
### How to Install the Shank

Remove the parts from the shank(1) and retain them according to the following order: supply tee(6), nut(5), nut(4) and metal washer(3).

Install the foam washer(2) to the shank, then fit the shank to the center hole of the deck or bath tub.

Install the washer(3), nut(4), nut(5), and wrench to tighten nut(4), then tighten nut(5).

Screw the supply tee to the shank of the unit kit until hand-tight.



### How to Install the Side Bodies

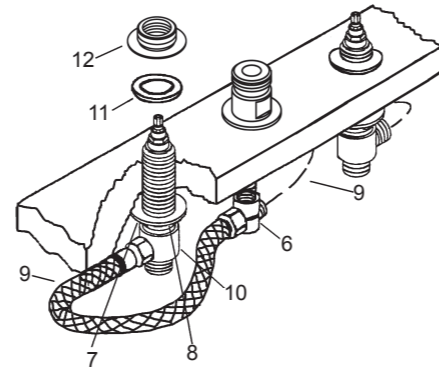
Put the washers into the ends of the hoses(9). Connect the side bodies(10) and supply tee(6) with hoses as shown in the figure.

**NOTE:** The hoses(9) should be only used here.

For easy installation, loosen the supply tee properly by unscrewing it, but not more than 180 degrees. Ensure that the water inside the hoses flow smoothly.

Insert the side body with washer(7) and nut(8) through mounting holes from bottom of the deck or bath tub rim (For 14428T-4, the side body with red mark on the left when facing the front of the faucet).

Install washer(11) and thread nut(12) with flange side down on each side body. Wrench to tighten nut(8).

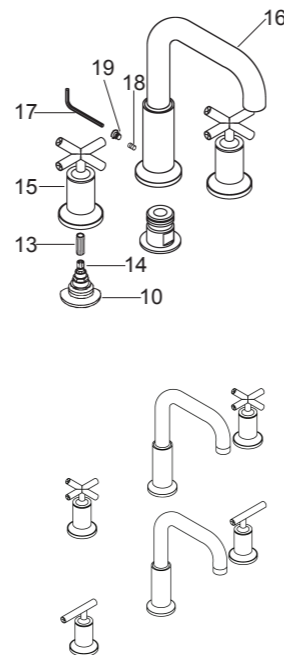


### How to Install the Handles and Spout

Press the extension stem(13) onto the valve stem(14). Thread the assembled handle kit(15) to the side body(10) until it contacts the deck or bath tub rim(The handle with the red washer on the left when facing the front of the faucet).

Insert the spout(16) to the shank until the bottom of it contacts the deck or bath tub. Tighten the screw(18) by hex wrench(17) provided, then insert the plug button(19) into rear hole.

The configuration as shown is the correct position of the handles in the closed position.



## INSTALLATION CHECKOUT

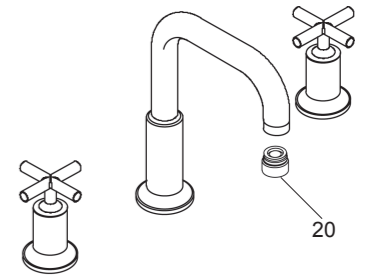
Ensure that all connections are tight.

Ensure that the handles are in the off position.

Remove the aerator(20).

Turn on the main water supply and check for leaks. Repair as required.

Open both hot and cold valves and turn water through the spout to remove any debris. Turn off the valves. Reinstall the aerator.



## CLEANING INSTRUCTIONS

All Finishes: Clean the finish with mild soap and warm water. Wipe entire surface completely dry with clean soft cloth. Many cleaners may contain chemicals, such as ammonia, chlorine, toilet cleaner etc, which could adversely affect the finish and are not recommended for cleaning.

Do not use abrasive cleaners or solvents on Kohler faucets and fittings.