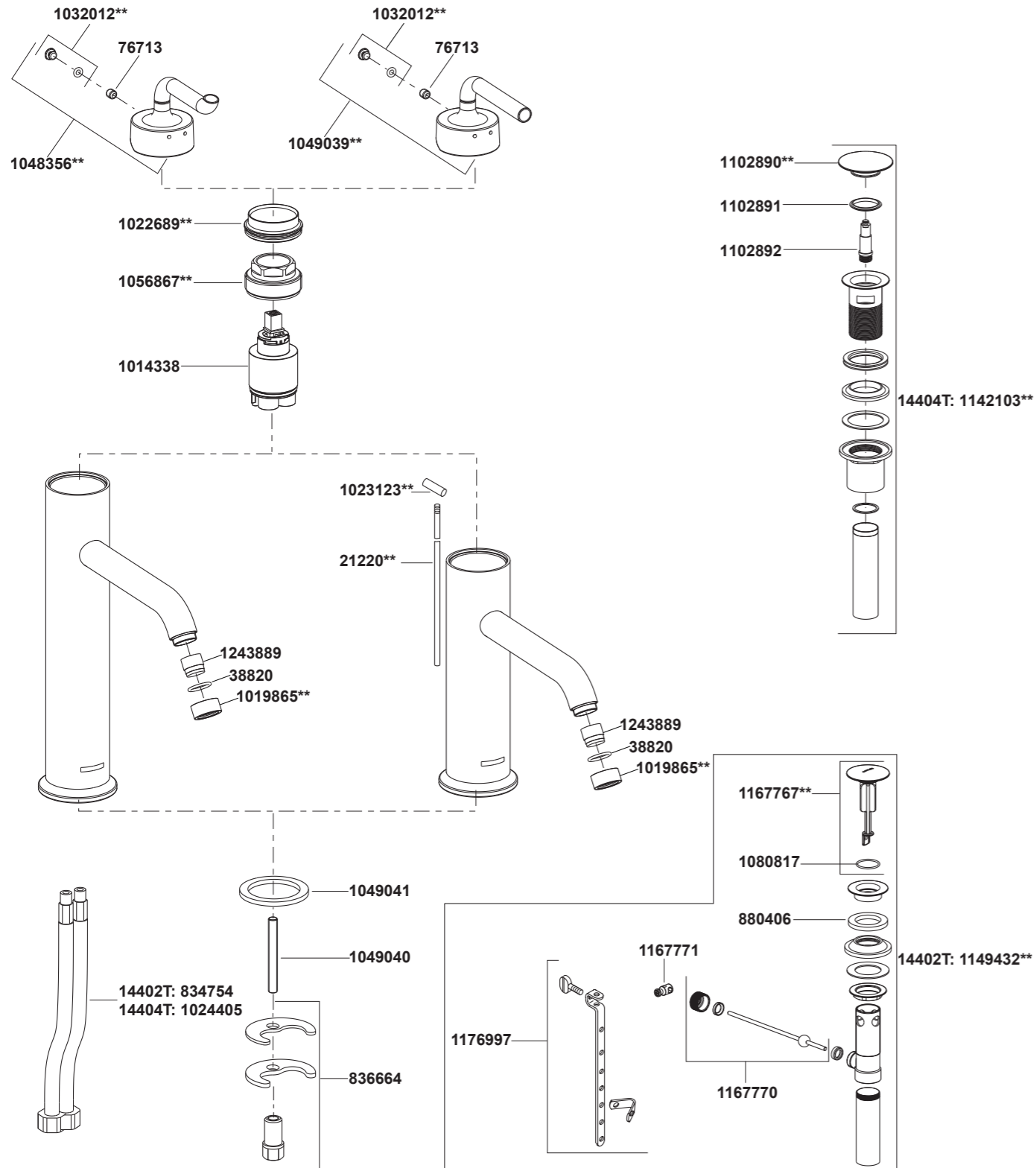


14402T Single Lever Lavatory Faucet
 14404T Single Lever Tall Lavatory Faucet



**Color code must be specified when ordering

14402T Single Lever Lavatory Faucet
 14404T Single Lever Tall Lavatory Faucet

BEFORE YOU BEGIN

All information is based on the latest product information available at the time of publication. Kohler Co. reserves the right to make changes in product characteristics, packaging, or availability at any time without notice.

Please leave these instructions for the consumer. They contain important information.

NOTES:

1. Flush the water supply pipes thoroughly to remove debris.
2. Inspect the supply tubing for damage. Replace as necessary.
3. If possible install faucet and drain before installing lavatory.

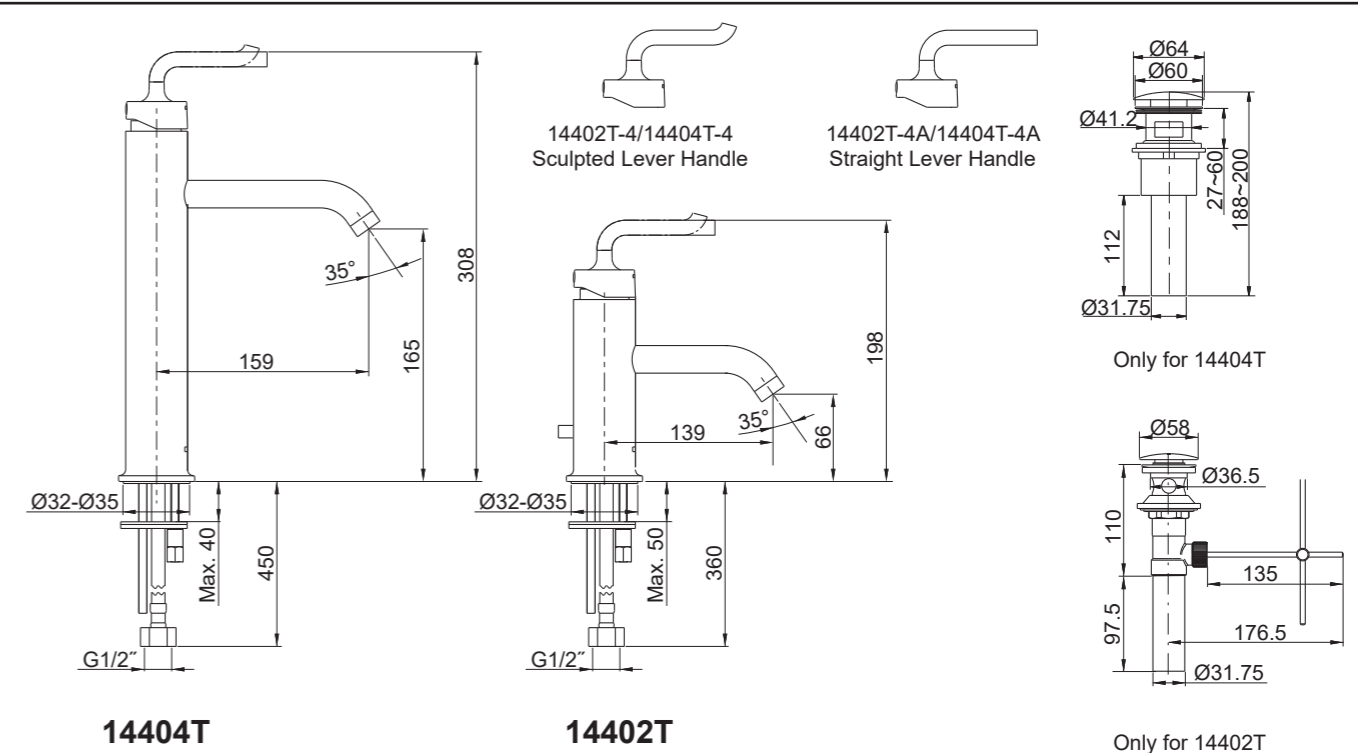
HANDLE OPERATION

Lift the handle gently, turn clockwise for hot water, counter-clockwise for cold water.

STANDARD APPLICABLE

Special model meets or exceeds the following at date of manufacture: TIS

ROUGH-IN DIMENSIONS



14404T

14402T

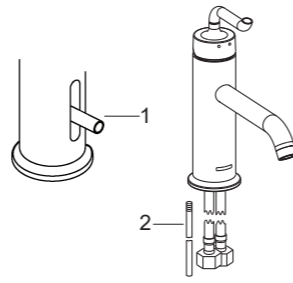
Only for 14402T

INSTALLATION

How To Install The Lift Rod

Unscrew the lift rod knob(1) from the lift rod(2). Insert the lift rod into the groove of the faucet through the underside hole. Screw the lift rod knob to the lift rod, tightened by hand.

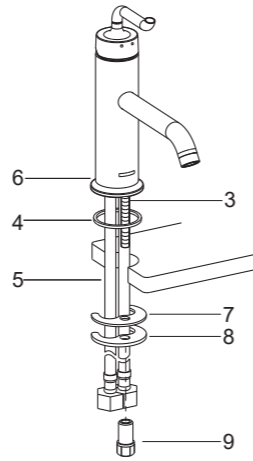
NOTE: There is no lift rod assy in 14404T.



How To Install The Faucet

Install the stud(3) into the faucet body(6). Put the washer(4) into the bottom of body through the flexible hoses(5) and the stud. Insert hoses and stud into the hole of lavatory. Position the faucet. From underside of the lavatory, fit the bracket(7) and washer(8) on the stud. Secure the faucet by tightening nut(9).

Attach the hoses to water supplies. When facing front of faucet, the left hose is hot water, the right hose is cold water.



How To Install The Drain (Only For 14402T)

Uninstall the stopper(10), drain flange(12) and washer(13) from drain body(17). Slide washer onto the underside of the drain flange. Uninstall the tailpiece(19) from the drain body. Supply enough tape or sealant to tailpiece thread. Reinstall the tailpiece. Insert the drain body with gasket(14), steel washer(15) and locknut(16) into the lavatory from underside, with the drain lever hole(18) facing the rear.

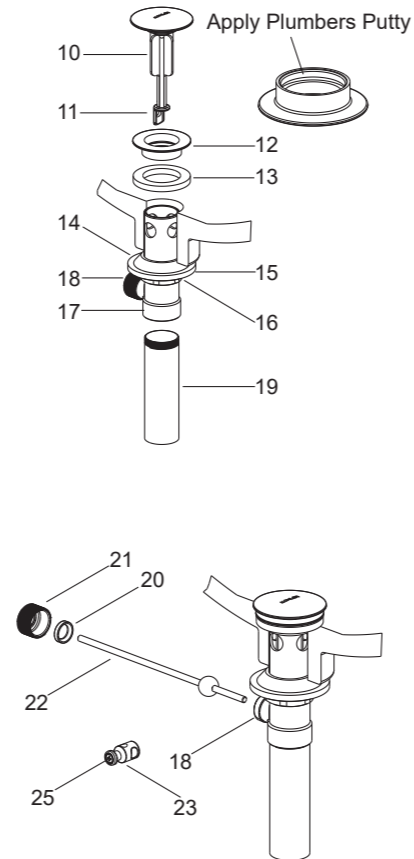
NOTE: If necessary, apply a ring of plumbers putty around the underside of the drain flange, instead of using washer(13).

Thread the drain flange onto the drain body. Tighten the locknut from the underside of the lavatory by hand. Place stopper into drain body, aligning the flat side of stopper hole(11) with the drain lever hole.

Loosen the screw(25) on the latch(23), take off the latch. Remove the retaining nut(21). Fit the plastic washer(20) and retaining nut onto the ball lever rod(22). Insert the ball lever assembly into the drain lever hole(18) and through the stopper hole. Tighten the retaining nut.

Be sure that the ball lever rod points to the back of the lavatory, tighten the locknut.

NOTE: Do not reposition the drain after the locknut is tightened, or you may break the putty seal. Remove any excess putty.



How To Install The Lift Rod Kit

Select the connection of the drain and the lift rod according the dimension of lavatory.

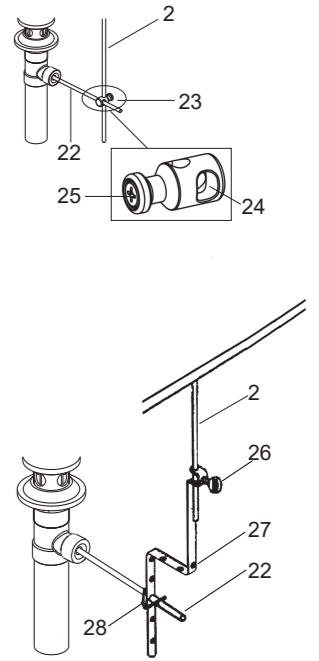
Way 1: Select the latch(23)

Insert the ball lever rod(22) into the bigger hole(24) of the latch(23). Insert the lift rod into the other hole of latch. Position the lift rod, ensure the distance between the lift knob and the faucet body is about 10mm. Push the ball lever rod(22) down to the open position. Tighten the screw(25) on the latch.

Way 2: Select the link kit(26, 27 & 28).

According to the lift rod length, bend the link(27). Connect the link onto ball lever rod with 'V' clip(28). Slide lift rod into the hole on link. Position the lift rod, ensure the distance between the lift knob and the faucet body is about 10mm. Push the ball lever rod(22) down to the open position. Tighten thumb screw(26).

Connect the tailpiece to the trap. The tailpiece should extend 25mm to 50mm into the trap.

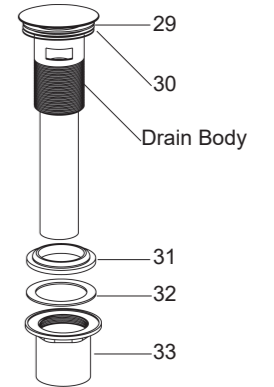


How To Install The Drain (Only For 14404T)

Remove the locknut(33), plastic washer(32), rubber gasket(31) from the drain body. Insert the drain body into the lavatory. Reinstall the rubber gasket(Tapered side up), plastic washer and locknut back to the drain body in turn. Tighten the locknut.

Note: If needed, apply a ring of plumbers putty or other sealants around the underside of the drain flange(29), instead of using rubber washer(30).

Do not reposition the drain after the locknut is tightened, or you may break the putty or sealant seal. Remove any excess putty.



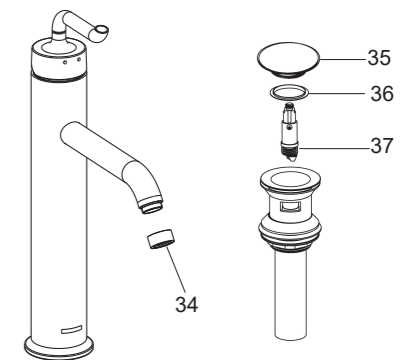
INSTALLATION CHECKOUT

Ensure that all connections are tightened and the handle is in the off position. Open the drain. Turn on main water supply and check for leaks. Repair as required.

Remove the aerator(34). Turn on the faucet. Run the hot and cold water through the spout for about one minute to remove any debris. Remove any debris from the aerator. Shut off the faucet and reinstall the aerator.

Replacing the Washer and Piston Kit

Turn counterclockwise to uninstall the stopper(35). Take out washer(36). Replace with a new one. Turn counterclockwise to uninstall the piston kit(37). Replace with a new one. Reinstall stopper and washer.



CLEANING INSTRUCTIONS

All Finishes: Clean the finish with mild soap and warm water. Wipe entire surface completely dry with clean soft cloth. Many cleaners may contain chemicals, such as ammonia, chlorine, toilet cleaner etc, which could adversely affect the finish and are not recommended for cleaning.

Do not use abrasive cleaners or solvents on Kohler faucets and fittings.