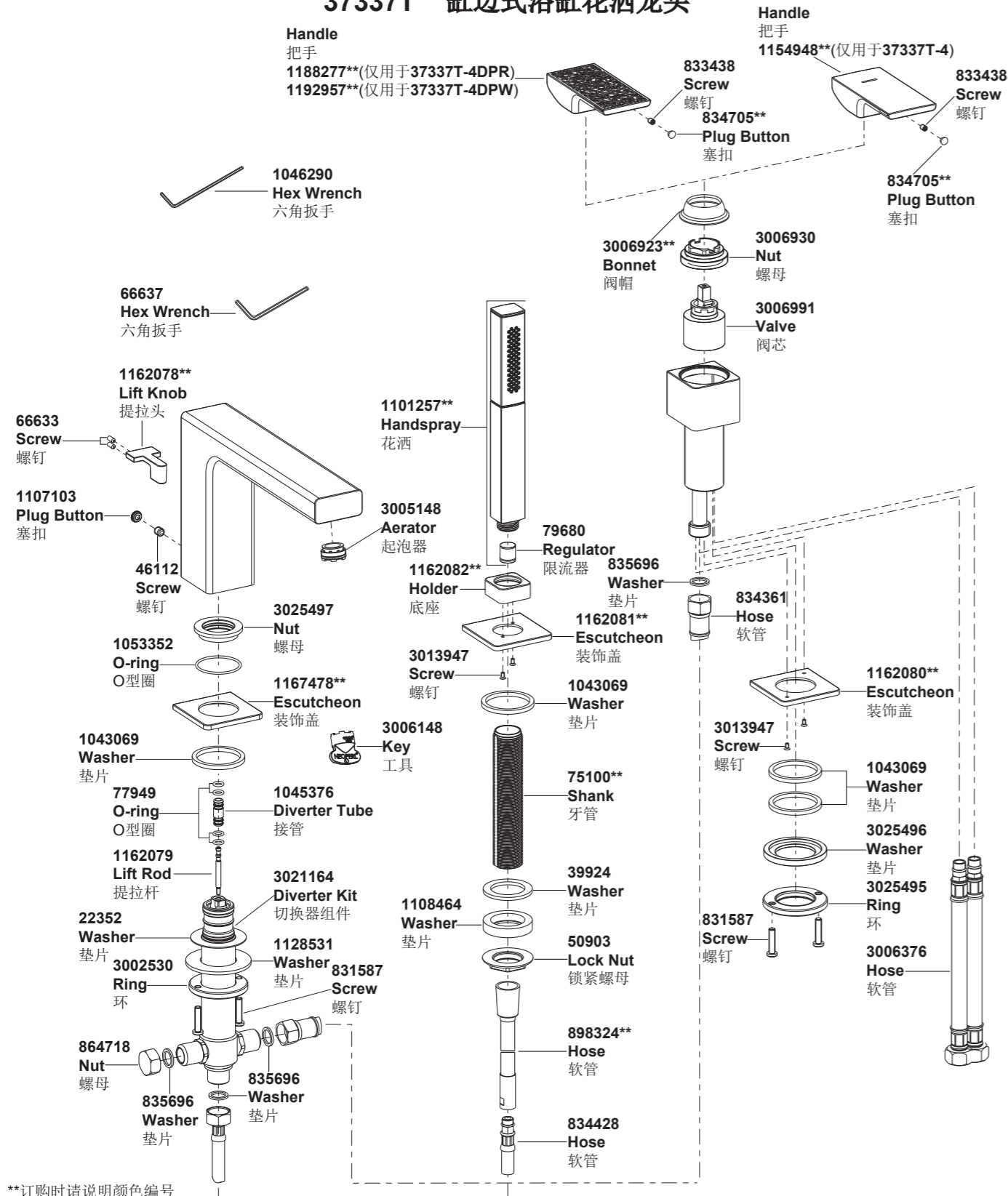


37337T 缸边式浴缸花洒龙头



**订购时请说明颜色编号
**Color code must be specified when ordering

37337T 缸边式浴缸花洒龙头

安装之前

所有的资料是按最新出版的产品资料编写而成。科勒公司保留任何时候不经通知即可改变产品特性、包装或产品可供类型的权利。

说明书包括重要的安装、保养及清洁方面的内容，请把这些资料交给用户阅读。

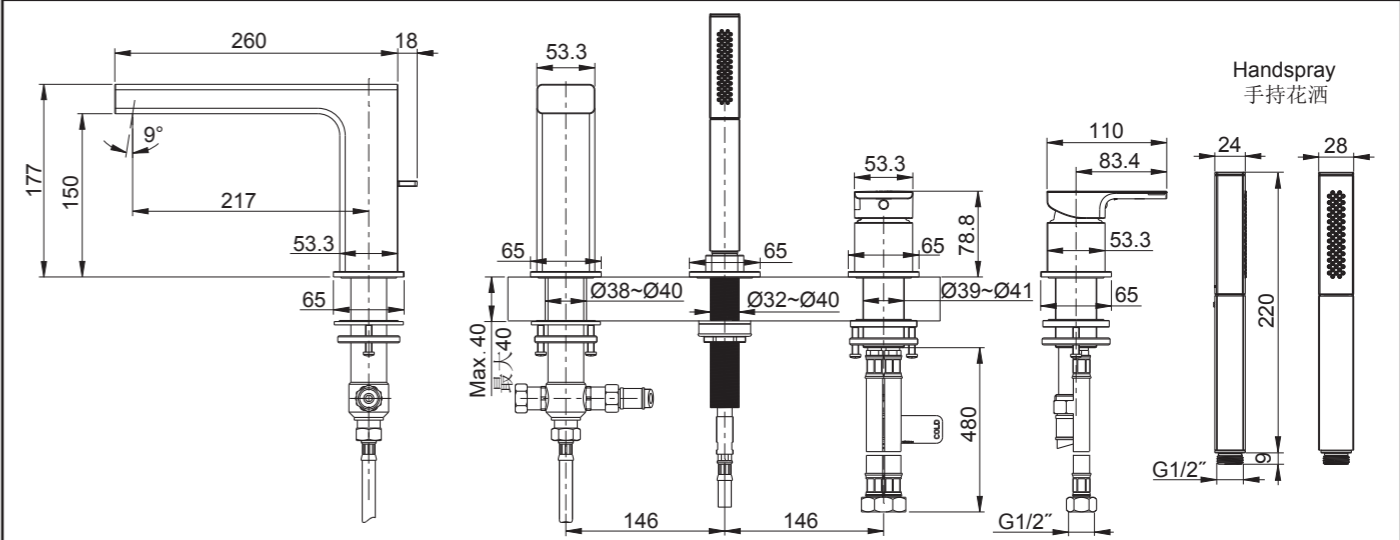
注意事项：

1. 一定要先彻底冲洗供水管以清除管道中的杂质。
2. 检查供水管有无损坏。如需要，进行替换。
3. 遵守当地管路安装条例。
4. 尽可能在安装浴缸之前安装水龙头。
5. 花洒最高工作压力：0.5MPa(5bar)。水压超过0.5MPa(5bar)须安装减压阀。花洒最高工作温度及环境温度：60°C。请特别注意花洒同花洒连接的臂管须远离浴霸，否则可能损坏花洒及其密封件，甚至对使用者造成伤害。

使用说明

将手柄轻轻提起，顺时针旋转为热水，逆时针旋转为冷水。

安装尺寸



BEFORE YOU BEGIN

All information is based on the latest product information available at the time of publication. Kohler Co. reserves the right to make changes in product characteristics, packaging, or availability at any time without notice.

Please leave these instructions for the consumer. They contain important information.

NOTE:

1. Flush the water supply pipes thoroughly to remove debris.
2. Inspect the supply tubing for damage. Replace as necessary.
3. Observe local plumbing codes.
4. If possible, install this faucet before installing the bath.
5. The highest working pressure for handspray & shower head is 0.5MPa(5bar). If it exceeds 0.5MPa (5bar), a pressure reducer is needed. The highest water and environment temperature is 60°C. Please keep handspray, shower head and the shower arm away from heater, or it may become damaged and cause injury to the user.

HANDLE OPERATION

Lift the handle gently. Turn clockwise for hot water, counter-clockwise for cold water.

ROUGH-IN DIMENSIONS

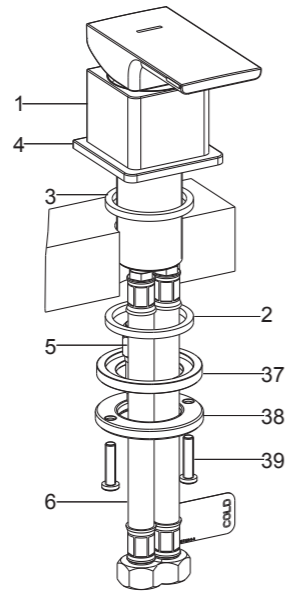
安装步骤

如何安装阀体组件

将橡胶垫片(3)嵌入装饰盖(4)底部凹槽。将阀体组件(1)插入浴缸安装孔中。

从浴缸下方依次安装垫片(2)、垫片(37)和环(38)。调整好阀体组件位置,使得阀体组件接头(5)位于正后方。调整环到合适位置,锁紧螺钉(39),固定阀体组件。

把软管(6)接到水源,带有“COLD”标志的软管接冷水。



INSTALLATION

How to Install the Valve Kit

Put the rubber washer(3) into the groove on the bottom of the escutcheon (4). Fit the valve kit(1) to the hole of the bath tub.

From underside of the bath tub, install the parts according to the following order: washers(2), washer(37) and ring(38). Position the valve kit so that the connector(5) of the valve kit is on the back. Adjust the ring to the appropriate position. Tighten the screws(39) to secure the valve kit.

Attach the hoses(6) to water supplies. The hose with “COLD” mark connects to cold water.

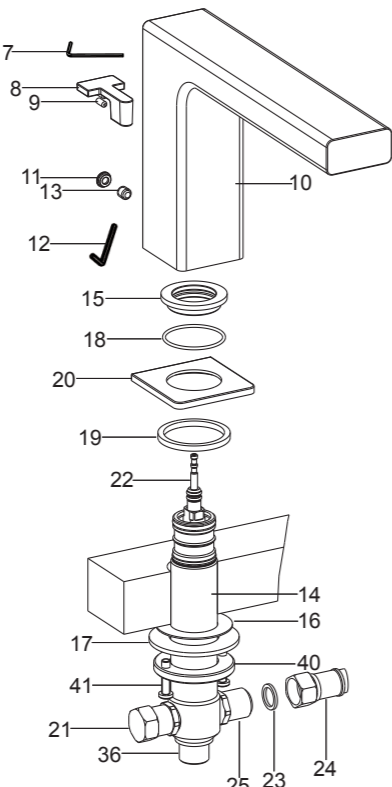
如何安装出水口

用六角扳手(7)旋松提拉头组件(8)内的螺钉(9),取下提拉头。从水口组件(10)上取下塞扣(11)。用六角扳手(12)旋松螺钉(13)。取下切换器组件(14)。将环(40)、垫片(17)和垫片(16)依次置于切换器组件下方位置。将O型圈(18)嵌入螺母(15)底部凹槽中。将垫片(19)嵌入装饰盖(20)底部凹槽。

从台面下方将切换器组件装于浴缸安装孔,使其尽可能多地伸出台面。将装有垫片的装饰盖套在切换器组件上且紧贴台面。将带有O型圈的螺母(15)旋紧到切换器组件上。调整切换器组件位置,使得螺母(21)在左边。调整环到合适位置,锁紧螺钉(41)固定切换器组件。

将出水口组件装在切换器组件上。调整出水口位置使出水口朝向正前方。将提拉头套在提拉杆(22)上,用六角扳手(7)锁紧螺钉(9)。用六角扳手(12)锁紧螺钉(13),安装塞扣。

将垫片(23)装入软管(24)接头内,然后用软管连接阀体组件接头(5)和切换器组件接头(25)。



How to Install the Spout

Loosen the screws(9) of the lift rod knob kit(8) with the hex wrench(7), and remove the lift rod knob kit. Remove the plug(11) from the spout kit(10). Loosen the screw(13) with the hex wrench(12), and remove the diverter kit(14). Put the ring(40), washer(17) and washer(16) to the lower location of the diverter kit. Slide the o-ring(18) into the bottom groove of the nut(15). Put the washer(19) into the bottom groove of the escutcheon(20).

From underside of the bath tub, insert the diverter kit into the hole of bath tub and put out it as much as possible. Slide the escutcheon with the washer onto the diverter kit, and keep it against the bath tub. Tighten the nut(15) with o-ring onto the diverter kit. Position the diverter kit so that the nut(21) is on the left. Adjust the ring to the appropriate position. Tighten the screws(41) to secure the diverter kit.

Install the spout kit onto the diverter kit, position the spout kit so that the spout points to the front. Install the lift rod knob kit onto the lift rod(22), and tighten the screw(9) with the hex wrench(7). Tighten the screw(13) with the hex wrench(12), and install the plug(11).

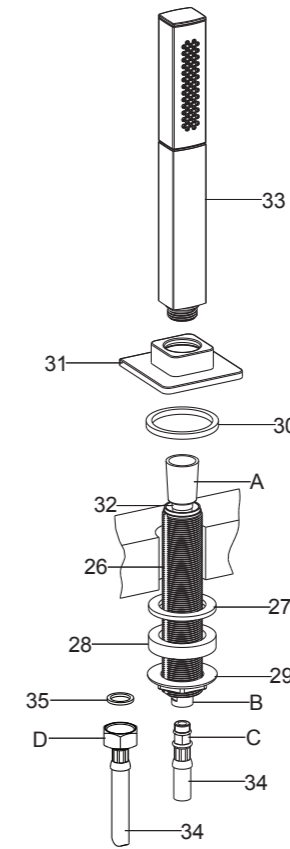
Install the washer(23) into the connector of hose(24), then connect the connector(5) of valve kit and the connector(25) of diverter kit with the hose.

如何安装手持花洒

从牙管(26)上依次取下垫片(27)、垫片(28)和螺母(29)。将垫片(30)嵌入装饰盖(31)底部凹槽,将装饰盖装到牙管上并拧紧,然后将牙管装于浴缸安装孔中。

从浴缸下方依次安装垫片(27)、垫片(28)和螺母(29)。调整装饰盖位置,使两圆弧边上下对称。拧紧螺母(29)。

将软管(32)接头(A)与花洒(33)连接,接头(B)与软管(34)接头(C)连接。将垫片(35)装入软管(34)接头(D),然后与切换器组件接头(36)连接。



How to Install the Handshower

Remove the parts from the shank(26) and retain them according to the following order: washer(27), washer(28) and nut(29). Slide the washer(30) into the bottom groove of the escutcheon (31), install the escutcheon with washer to the shank and tighten it, then fit the shank to the hole of the bath tub.

From underside of the bath tub, install the washer(27), washer(28), nut(29). Position the escutcheon so that two arc edges are symmetrical up and down. Tighten the nut(29).

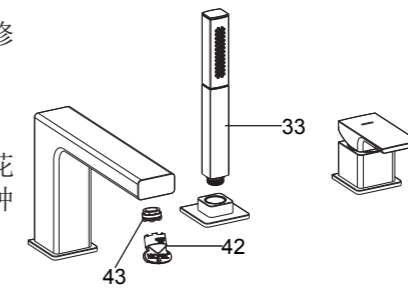
Connect the connector(A) of the hose(32) to the handshower(33), connect the other connector(B) of the hose(32) to the connector(C) of the hose(34). Install the washers(35) into the connector(D) of hose(34), then connect to the connector(36) of the diverter kit.

安装结果检查

检查并确保所有衔接螺母都已拧紧,确保把手在关的位置。

打开排水器和主要供水源,检查并修理有漏水的接口。

用工具(42)将起泡器(43)拆下。取下花洒(33)。打开冷热水,让水流约一分钟以清除杂质。检查渗漏,关闭龙头,重新装回起泡器和花洒。



INSTALLATION CHECKOUT

Ensure that all coupling nuts are tight. Ensure that the handle is in the off position.

Turn on the drain and main water supply, and check for leaks. Repair as needed.

Remove the aerator(43) with the key (42). Remove the handspray(33). Turn on faucet handle. Run hot and cold water through spout about one minute to remove any debris. Check for leaks at this time. Remove any debris. Shut off the faucet. Reinstall the aerator and the handspray.

清洗说明

适用于所有加工处理过的表面:以中性肥皂水清洗镀层表面,再以干净的软布彻底擦干整个表面,许多清洁剂,比如氨水、去污粉及洁厕灵等,会对电镀表面造成伤害,切忌使用。

有磨损性的清洁用具或清洁剂也不可适用于科勒牌的水龙头及其配件上。

CLEANING INSTRUCTIONS

All Finishes: Clean the finish with mild soap and warm water. Wipe entire surface completely dry with clean soft cloth. Many cleaners may contain chemicals, such as ammonia, chlorine, toilet cleaner etc, which could adversely affect the finish and are not recommended for cleaning.

Do not use abrasive cleaners or solvents on Kohler faucets and fittings.