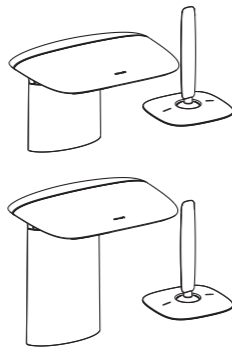


## 安装结果检查

检查并确保所有的衔接螺母都已拧紧，确保把手在关的位置。

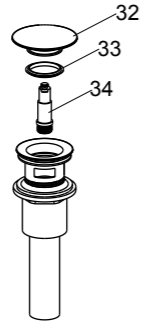
打开排水器和主要供水源，检查并修理有漏水的接口。

打开水龙头的冷热水，让水流约一分钟以清除杂质，检查渗漏。



## 更换止水垫及活塞组件

逆时针旋下止水塞(32)，然后取出止水垫(33)。更换新的止水垫。逆时针旋下活塞组件(34)，更换新的活塞组件。装回止水垫及止水塞。



## INSTALLATION CHECKOUT

Ensure that all connections are tight. Ensure that the handle is in the off position.

Turn on the drain and main water supply, and check for leaks. Repair as needed.

Turn on faucet handle. Run hot and cold water through spout about one minute to remove any debris. Check for leaks at this time.

## Replacing the Washer and Piston Kit

Turn counterclockwise to remove the stopper(32). Take out washer(33). Replace with a new one. Turn counterclockwise to remove the piston kit(34). Replace with a new one. Reinstall stopper and washer.

## 清洗说明

适用于所有加工处理过的表面：以中性肥皂水清洗镀层表面，再以干净的软布彻底擦干整个表面，许多清洁剂，比如氨水、去污粉及洁厕灵等，会对电镀表面造成伤害，切忌使用。

有磨损性的清洁用具或清洁剂也不可适用于科勒牌的水龙头及其配件上。

## CLEANING INSTRUCTIONS

All Finishes: Clean the finish with mild soap and warm water. Wipe entire surface completely dry with clean soft cloth. Many cleaners may contain chemicals, such as ammonia, chlorine, toilet cleaner etc, which could adversely affect the finish and are not recommended for cleaning.

Do not use abrasive cleaners or solvents on Kohler faucets and fittings.

# KOHLER®

## INSTALLATION INSTRUCTIONS

### 安装说明书

# 奥睿

## AIRFOIL

### Single Lever Lavatory Faucet

- 37263T-4 单把脸盆龙头
- 37264T-4 单把碗盆龙头
- 37265T-4 单把墙出水脸盆龙头

## 安装之前

所有的资料是按最新发布的产品资料编写而成。科勒公司保留任何时候不经通知即可改变产品特性、包装或产品可供类型的权利。

说明书包括重要的安装、保养及清洁方面的内容，请把这些资料交给用户阅读。

### 注意事项：

1. 一定要先彻底冲洗供水管以清除管道中的杂质。
2. 尽可能在安装脸盆之前安装水龙头。
3. 检查供水管有无损坏和漏水。如需要，进行替换和维修。
4. 遵守当地管路安装条例。
5. 切断供水管路。

## BEFORE YOU BEGIN

All information is based on the latest product information available at the time of publication. Kohler Co. reserves the right to make changes in product characteristics, packaging, or availability at any time without notice.

Please leave these instructions for the consumer. They contain important information.

### NOTES:

1. Flush the water supply pipes thoroughly to remove debris.
2. If possible, install this faucet before installing the lavatory.
3. Inspect the supply tubing for damage and leakage. Replace and maintain as necessary.
4. Observe local plumbing codes.
5. Shut off the water supplies to the fitting.

## 使用说明

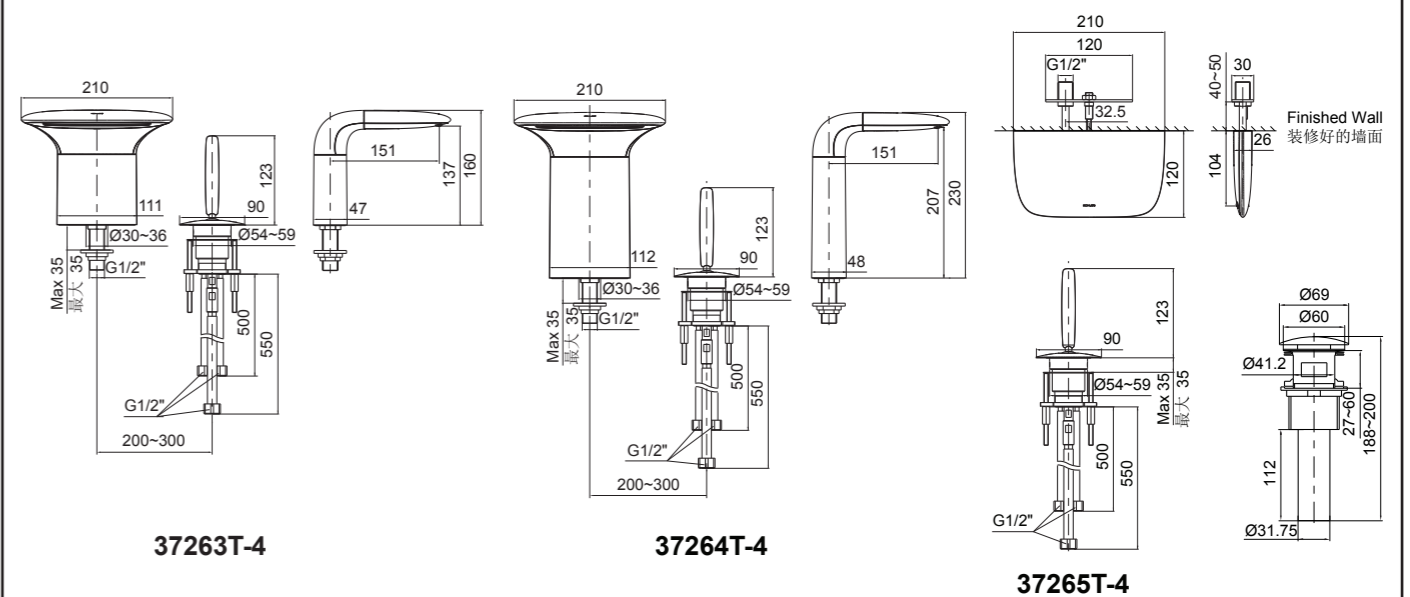
轻轻向前扳动把手，顺时针旋转为热水，逆时针旋转为冷水。

## HANDLE OPERATION

Pull the lever onwards gently. Turn clockwise for hot water, and counter-clockwise for cold water.

## 安装尺寸

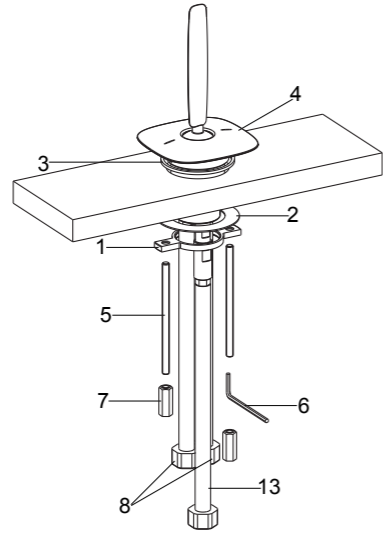
## ROUGH-IN DIMENSIONS



## 安装步骤

### 如何安装阀体组件

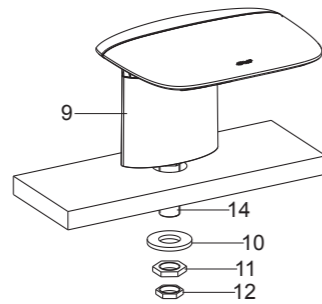
取下固定环(1)和钢垫(2), 将橡胶垫片(3)放入阀体组件装饰盖(4)底部凹槽, 将阀体组件插入脸盆安装孔中。从脸盆下方将钢垫和固定环装到阀体上。保持螺杆(5)扳手孔朝下, 旋到固定环上。调整阀体组件, 使把手红标在左蓝标在右, 用3mm六角扳手(6)锁紧螺杆以固定阀体组件。锁紧螺母(7)。



把两个短软管(8)接到水源, 有蓝色标志的软管接冷水, 有红色标志的软管接热水。

### 如何安装出水口 仅对于37263T-4 & 37264T-4

将出水口组件(9)插入脸盆安装孔。从脸盆的下方依次安装垫片(10)、螺母(11)和螺母(12)。调整出水口的位置使其朝向正前方, 锁紧螺母(11)和螺母(12)以固定出水口。



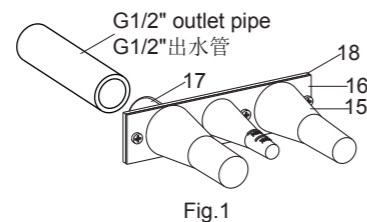
将出水软管(13)旋紧到出水口组件的牙管(14)上。

### 仅对于37265T-4

根据安装尺寸, 在垂直面的墙壁上, 距脸盆上边缘80~110mm的位置安装出水口组件。

在墙面上开一个合适的孔。

**注意:** 如图Fig.1所示, 确保装修好的外墙面应处于保护套(15)上的MAX与MIN标记之间。



在连接组件(16)的接头(17)上涂螺纹密封胶或缠绕足以密封的密封胶带。将G1/2"出水管接到连接组件上, 且保护套上带有MAX和MIN标记一侧朝上。

## INSTALLATION

### How to Install the Valve Kit

Remove the threaded ring(1) and steel washer(2). Put the rubber gasket(3) into the bottom groove of the valve kit escutcheon(4). Put the valve kit into the hole of the lavatory. From underside of the lavatory, install the steel washer and the threaded ring onto the valve kit. Keep the wrench holes of the studs(5) facing downwards, thread them onto the threaded ring. Position the valve kit so that the red logo is on the left, and the blue logo is on the right. Secure the valve kit by tightening studs with the 3mm hex wrench(6). Tighten the nuts(7) onto the studs.

Attach the shorter hoses(8) to water supplies. The hose with blue mark connects to cold water. The hose with red mark connects to hot water.

### How to Install the Spout Only For 37263T-4 & 37264T-4

Fit the spout kit(9) to the hole of lavatory. From underside of the lavatory, install the steel washer(10), the nut(11) and nut(12). Position the spout so that it is toward to the front. Secure the spout kit by tightening the nut(11) and the nut(12).

Tighten the outlet hose(13) onto the shank(14) of the spout kit.

### Only For 37265T-4

Determine the location that the distance is 80~110mm from the fringe of the lavatory to install the spout kit on vertical wall as rough-in dimensions.

Make a suitable hole in the wall.

**NOTE:** The out surface of the finished wall should be between the MAX and MIN marks on the protectors(15) as Fig.1 shown.

Use appropriate thread sealants or thread tape on the outlet bush(17) of the outlet kit(16). Connect G1/2" outlet pipe to the outlet kit, and be sure the side with the MAX and MIN marks on the protector upwards.

**注意:** 安装时, 保证连接组件轴线方向与墙面垂直, 底板(18)水平。

用水泥填平墙面孔。

安装过程中, 为了保护阀体, 保护罩需留在阀体上。

**注意:** 装修好的墙面孔尺寸如图Fig.2所示。

紧贴墙面切掉保护罩。**注意:** 切勿损坏O型圈(19)。

用六角扳手(20)旋紧螺钉(21)将接头(22)固定在墙面上且使接头的两直边水平, 螺孔朝下。将出水口组件(23)装在接头上, 紧贴墙面且使底部螺钉孔朝下。如装入困难, 可调节接头(24)。**注意:** 保持出水口组件水平。用2.5mm六角扳手(25)安装螺钉(26), 并锁紧以固定出水口组件。

将出水软管(13)旋紧到出水管上。

### 如何安装排水器

把锁紧螺母(27)、塑料垫片(28)和橡胶垫圈(29)从排水本体上依次取下。把排水本体从脸盆上部孔插入。再依次将橡胶垫圈(小面朝上)、塑料垫片和锁紧螺母从脸盆下方装回排水本体。锁紧螺母。

**注意:** 如果需要, 可在排水器盘片(30)底面沿周围涂一圈密封油灰或其它密封胶, 而不使用橡胶垫片(31)。

在锁紧螺母拧紧后, 不可调整排水本体的位置, 否则会破坏油灰或密封胶密封。

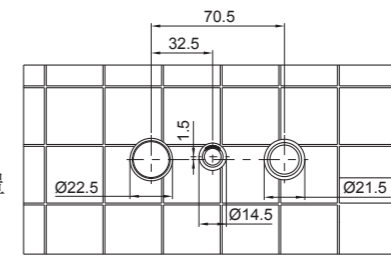
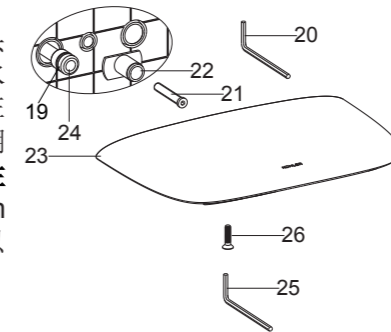


Fig.2



**NOTE:** Ensure the centerline of the outlet kit is perpendicular to the wall, the support plate(18) is level.

Fill in the wall hole with cement.

During installation, the protector remain on the valve body.

**NOTE:** The sizes of the opening holes in the finished wall is as Fig.2 shown.

Cut off the protector against the wall.  
**NOTE:** Don't damage the O-ring(19).

Tighten the screw(21) with the hex wrench(20) so that the connector(22) is fixed to the finished wall, and ensure two straight edges of the connector is level, the hole downwards. Slide the spout kit(23) onto the connectors till it is against the wall, and make sure the screw hole downwards. Adjust the connector(24) so that the spout kit can installed onto the connectors if needed.  
**NOTE:** keep the spout kit horizontally. Install the screw(26) with the 2.5mm hex wrench(25), and tighten it to secure the spout kit.

Tighten the outlet hose(13) onto the outlet pipe.

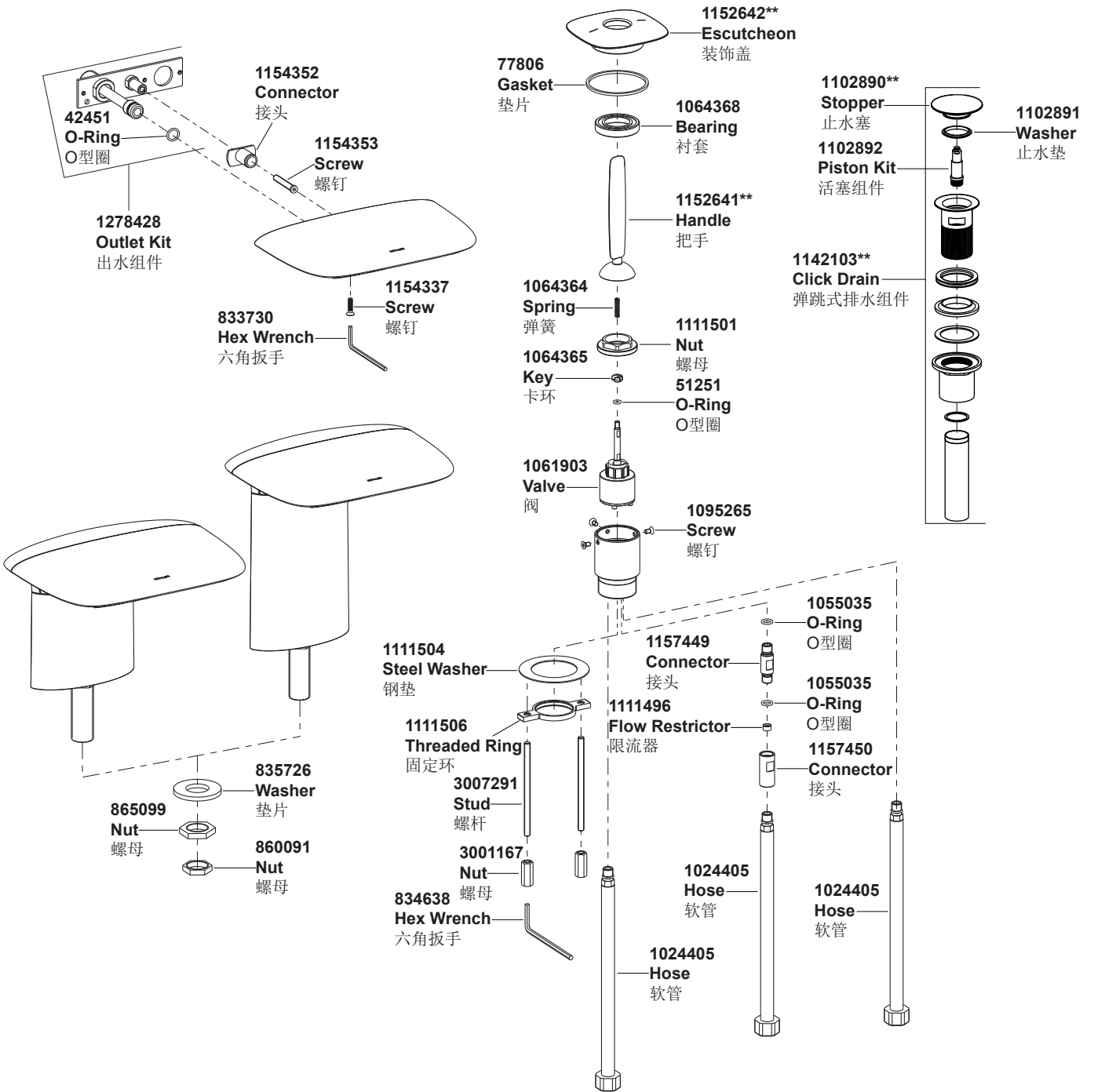
### How to Install the Drain

Remove the locknut(27), plastic washer(28) and the rubber gasket(29) from the drain body. Insert the drain body into the lavatory. Install the rubber gasket (Tapered side up), plastic washer and locknut back to the drain body in turn. Tighten the locknut.

**NOTE:** If needed, apply a ring of plumbers putty or other sealants around the underside of the drain flange(30), instead of using rubber washer(31).

Do not reposition the drain after the locknut is tightened, or you may break the putty or sealant seal.

- 37263T-4 单把脸盆龙头
- 37264T-4 单把碗盆龙头
- 37265T-4 单把墙出水脸盆龙头



\*\*订购时请说明颜色编号

\*\*Color code must be specified when ordering