

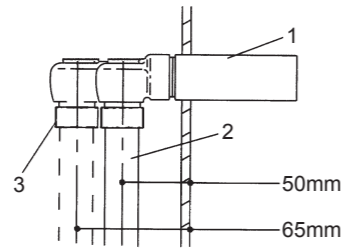
安装步骤

INSTALLATION

如何安装混合栓

切勿在此时将保护套(1)移去。同时将保护套套入中间出水口接头上。

连接螺纹为G1/2"的供水管(2)至混合栓进水处(3)。供水管路与装修好的墙面之距离应为50mm至65mm。贴红点一侧朝左, 安装热水管。



How To Install The Yoke

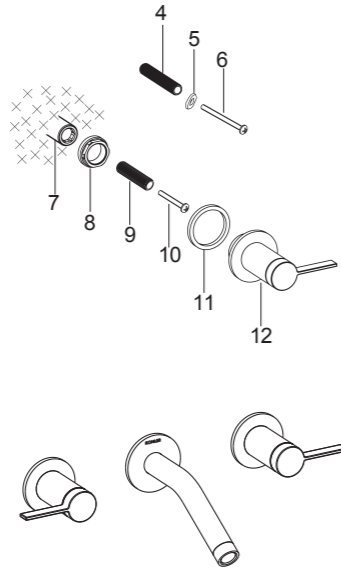
Do not take off guards(1) at this moment. Take on the protector on the middle connector of the spout.

Connect the G1/2" water supply pipes(2) to the supply yoke(3) so the installed water supplies will be between 50mm and 65mm from the finished wall. Make sure the left supply pipe is the hot supply and connected to the end with red mark.

如何安装把手

墙壁装修好以后, 可将保护套扔掉。

试装选择齿套(9)或加长齿套(4), 同时选择相配的螺钉(10)或(6)来固定齿套。如选择长齿套, 需要用垫片(5)。



将垫片(11)粘到把手(12)装饰盖底部凹槽中。将螺母(8)旋到把手底部。将把手旋到阀体(7)上并贴紧墙壁。带有红色标记的把手位于左边。

把手安装完毕, 处于关闭状态的位置如右图所示:

How To Install The Handles

Remove and discard the guards after completed the finished wall.

Rehearse to choose stem extensions(9) or long stem extensions(4) according to requirement. Select matched screws(10) or (6) to secure them. If choose long stem extensions(4), the washers(5) is needed.

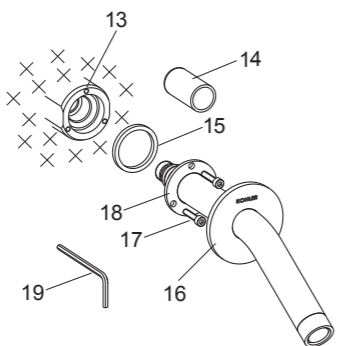
Stick the washers(11) into the groove on the bottom of the handle(12) escutcheons. Screw the nuts(8) onto the handles. Screw the handle onto the valves(7) until it against the wall. The handle with red mark should be on the left.

The configuration shown is the correct position of the handles in the closed position.

如何安装出水口

出去掉出水口上的保护套(14)。

将垫片(15)粘到装饰盖(16)底部, 将出水口旋紧到出水口接头(13)上, 调整出水口使出水嘴向下, 旋转连接法兰(18)到合适位置, 用六角扳手(19)锁紧螺钉(17)固定出水口, 在装饰罩背面边缘涂一圈油灰或密封胶, 后推装饰盖使其同墙壁接触并确保其上的“KOHLER”标处于正上方。



How To Install The Spout

Remove and discard the guard(14) from the spout.

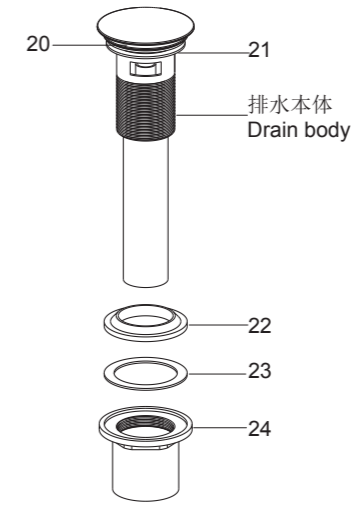
Stick the washer(15) onto the bottom of the escutcheon(16). Thread the spout onto the spout connector(13). Adjust the spout properly to make sure it downwards. Adjust the flange(18), tighten the screws(17) by hex wrench(19) to secure the spout. apply a ring of plumbers putty or sealant around the back surface of the escutcheon. Push the escutcheon against the wall and ensure the mark of "KOHLER" upwards.

如何安装排水器

将锁紧螺母(24)、塑料垫片(23)、橡胶垫圈(22)从排水本体上取下。把排水本体从脸盆上部孔插入。再依次将橡胶垫圈(小面朝上)、塑料垫片和锁紧螺母从排水本体底部装入。锁紧螺母。

注意: 如果需要, 可直接在排水器法兰(20)底面沿周围涂一圈密封油灰或其它密封剂, 而不使用橡胶垫片(21)。

在锁紧螺母拧紧后, 不可调整排水本体位置, 否则会破坏油灰或密封剂密封。去除多余的油灰。



How To Install The Drain

Remove the locknut(24), plastic washer (23), rubber gasket(22) from the drain body. Insert the drain body into the lavatory. Reinstall the rubber gasket (Tapered side up), plastic washer and locknut back to the drain body in turn. Tighten the locknut.

Notes: If needed, apply a ring of plumbers putty or other sealants around the underside of the drain flange(20), instead of using rubber washer(21).

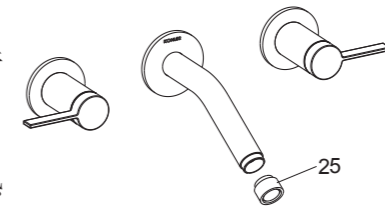
Do not reposition the drain after the locknut is tightened, or you may break the putty or sealant seal. Remove any excess putty.

安装结果检查

检查并确保所有的衔接处都已拧紧。确保把手在关闭的位置。

打开排水系统和主要供水源, 检查并修理有漏水的接口。

将起泡器(25)拆下, 打开水龙头的冷热水, 让水流出一分钟以清除杂质。冲洗起泡器, 在关闭水龙头后, 重新装回起泡器。



INSTALLATION CHECKOUT

Ensure that all connections are tight. Ensure that the handles are in the off position.

Open the drain. Turn on main water supply and check for leaks. Repair as required.

Remove aerator assembly(25). Turn the faucet handles on and run hot and cold water through spout for about a minute to remove any debris. Remove any debris from aerator assembly. Shut off faucet and reinstall aerator assembly.

清洗说明

适用于所有加工处理过的表面: 以中性肥皂水清洗镀层表面, 再以干净的软布彻底擦干整个表面, 有许多清洁剂, 比如氨水、去污粉及洁厕灵等, 会对电镀表面造成伤害, 切忌使用。

有磨损性的清洁用具或清洁剂也不可适用于科勒牌的水龙头及其配件上。

CLEANING INSTRUCTIONS

All Finishes: Clean the finish with mild soap and warm water. Wipe entire surface completely dry with clean soft cloth. Many cleaners may contain chemicals, such as ammonia, chlorine, toilet cleaner etc. which could adversely affect the finish and are not recommended for cleaning.

Do not use abrasive cleaners or solvents on Kohler faucets and fittings.