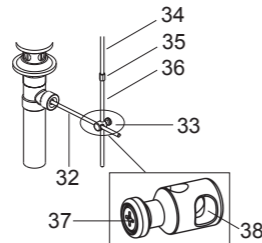


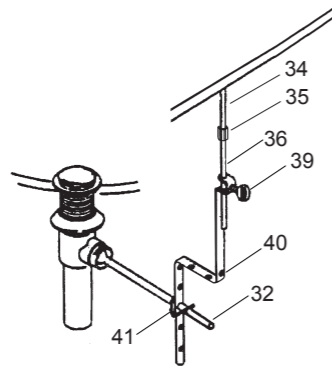
方式一：选用连接头(33)

把提拉杆组件(34)与拉杆(36)用连接螺母(35)锁紧。连接头(33)大孔(38)套到球杆(32)上，将提拉杆下部插入连接头小孔中。调整提拉杆的高度，使提拉杆头底部正好顶在水龙头的本体上。将球杆(32)下推到排水器全开位置。锁紧连接头上的螺钉(37)。



方式二：选用联动组件(39, 40 & 41)

根据实际情况，折弯联杆(40)并决定是否用连接螺母(35)将提拉杆(36)连接到提拉杆组件(34)上。用V形夹(41)将联杆连接到球杆组件上，将提拉杆插入到联杆的孔中，调整提拉杆的高度，使提拉杆头底部正好顶在水龙头的本体上。将球杆(32)下推到排水器全开的位置。拧紧手捻螺丝(39)。



把尾管接上存水弯，尾管须插入存水弯25mm到50mm。

Way 1: Select the latch(33)

Connect the lift rod(36) and the lift rod assembly(34) by the nut(35). Insert the ball lever rod(32) into the bigger hole (38) of the latch(33). Insert the lift rod into the other hole of latch. Position the lift rod so the bottom of the lift rod knob rests against the faucet body. Push the ball lever rod(32) down to the open position. Tighten the screw(37) on the latch.

Way 2: Select the link kit(39, 40 & 41).

According to the actual situation, bend the link(40) and decide whether connect the lift rod(36) and the lift rod assembly (34) by the nut(35) or not. Connect the link onto ball lever rod with 'V' clip(41). Slide lift rod into the hole on link. Position the lift rod so the bottom of the lift rod knob rests against the faucet body. Push the ball lever rod(32) down to the open position. Tighten thumb screw(39).

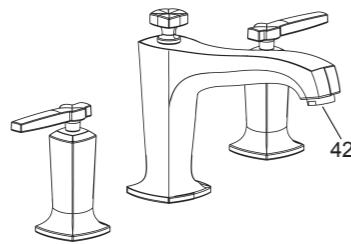
Connect the tailpiece to the trap. The tailpiece should extend 25mm to 50mm into the trap.

安装结果检查

确保已拧紧所有连接处。确保把手在关闭位置。

打开落水头。打开主供水源，检查泄露。

取下起泡器(42)。打开冷热水阀，使水流过出水口，除掉杂物，关闭阀。重新安装起泡器。



INSTALLATION CHECKOUT

Ensure that all connections are tight. Ensure that the handles are in the off position.

Open the drain. Turn on the main supply and check for leaks.

Remove the aerator(42). Open both hot and cold valves and run water through the spout to remove any debris. Turn the valve off. Reinstall the aerator.

清洗说明

适用于所有加工处理过的表面：以中性肥皂水清洗镀层表面，再以干净的软布彻底擦干整个表面，许多清洁剂，比如氨水、去污粉及洁厕灵等，会对电镀表面造成伤害，切忌使用。

有磨损性的清洁用具或清洁剂也不可适用于科勒牌的水龙头及其配件上。

CLEANING INSTRUCTIONS

All Finishes: Clean the finish with mild soap and warm water. Wipe entire surface completely dry with clean soft cloth. Many cleaners may contain chemicals, such as ammonia, chlorine, toilet cleaner etc, which could adversely affect the finish and are not recommended for cleaning.

Do not use abrasive cleaners or solvents on Kohler faucets and fittings.

KOHLER®
INSTALLATION INSTRUCTIONS
安装说明书

玛尔戈
MARGAUX
Widespread Lavatory Faucet

16232T 8"脸盆龙头

安装之前

所有的资料是按最新出版的产品资料编写而成。科勒公司保留任何时候不经通知即可改变产品特性、包装或产品可供类型的权利。

说明书包括重要的安装、保养及清洁方面的内容，请把这些资料交给用户阅读。

注意事项：

1. 切断供水管路。
2. 检查供水管有无损坏。如需要，进行替换。
3. 遵守所有当地管路安装条例。
4. 尽可能在安装脸盆之前安装水龙头。

BEFORE YOU BEGIN

All information is based on the latest product information available at the time of publication. Kohler Co. reserves the right to make changes in product characteristics, packaging, or availability at any time without notice.

Please leave these instructions for the consumer. They contain important information.

NOTES:

1. Shut off the water supplies to the fitting.
2. Inspect the supply tubing for damage. Replace as necessary.
3. Observe local plumbing codes.
4. If possible, install this faucet before installing the lavatory.

使用说明

逆时针旋转左把手为开，顺时针旋转右把手为开(一字把手)。

顺时针旋转左把手为开，逆时针旋转右把手为开(十字把手)。

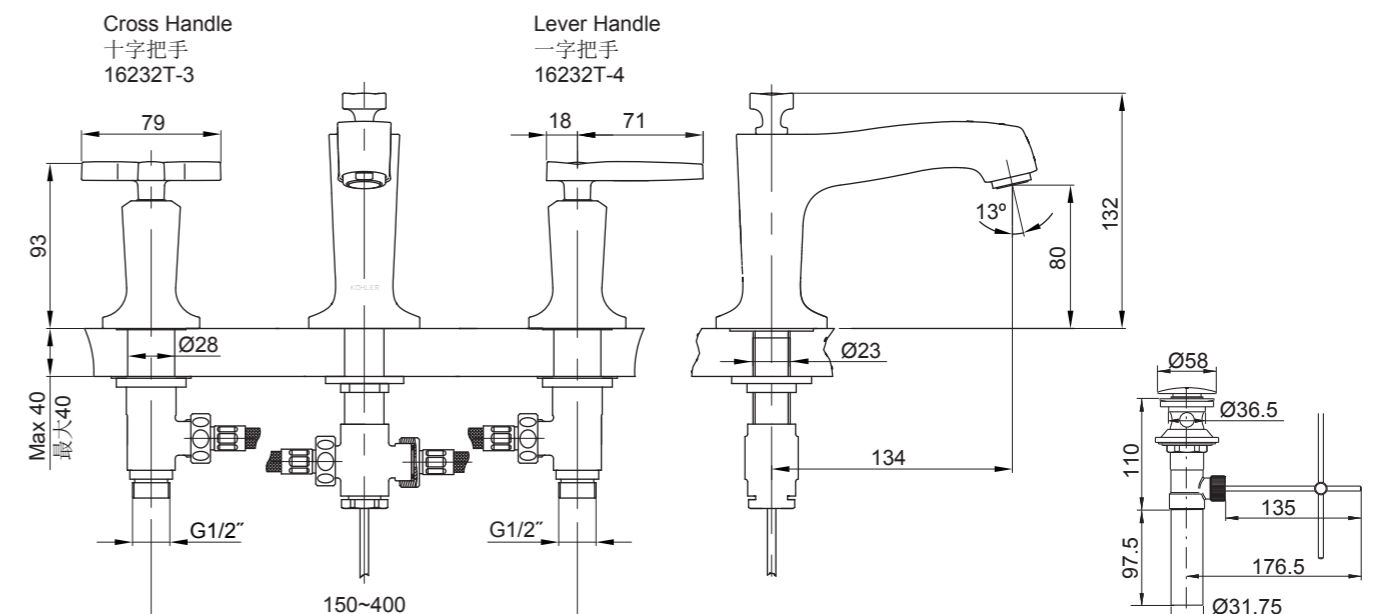
HANDLE OPERATION

Left handle opens with one-quarter turn counter-clockwise. Right handle opens with one-quarter turn clockwise(Lever handle).

Left handle opens with one-quarter turn clockwise. Right handle opens with one-quarter turn counter-clockwise(Cross handle).

安装尺寸

ROUGH-IN DIMENSIONS



安装步骤

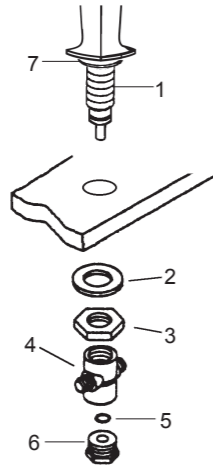
INSTALLATION

如何安装出水口

将螺母(6)、O型圈(5)、T形接头(4)、螺母(3)和垫片(2)从牙管(1)上依次取下。泡沫垫片(7)留在出水口组件上。

将出水口装于脸盆的中孔。

从脸盆下方安装垫片(2)、螺母(3)、T形接头(4)、O型圈(5)和螺母(6)，调整出水口位置，用扳手拧紧螺母(3)。



How To Install The Spout

Remove and retain the parts from the shank(1) according to the following order: nut(6), O-ring(5), supply tee(4), nut(3), washer(2). Retain the foam washer(7) on the shank.

Fit the spout assembly to the center hole of lavatory.

Install the metal washer(2), nut(3), supply tee(4), O-ring(5) and nut(6) from underside of the lavatory. Adjust the position of the spout and tighten the nut(3) by wrench.

如何安装阀体和把手

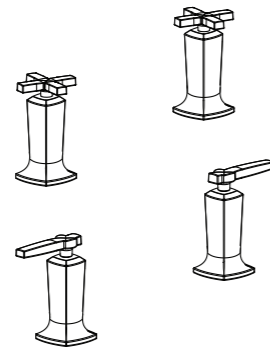
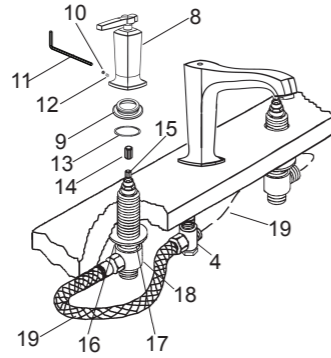
用六角扳手(11)旋松螺钉(12)，从阀体组件(18)上依次取下把手组件(8)、螺母(9)和橡胶垫片(13)，金属垫片(16)和螺母(17)留在阀体上，齿套(14)保留在阀轴(15)上。

用垫片及软管(19)连接阀体和T型接头(4)。

注意：将阀体定位，使得面向龙头时，贴有红色标记的阀体位于左面。为了安装方便，可以适当旋松T型接头，但不要超过180度。安装必须保证软管水流顺畅。软管(19)只能用于此处。

将阀体组件从脸盆下方插入安装孔。装入垫片(13)，旋紧螺母(9)。用扳手锁紧螺母(17)。将把手组件装到阀体组件上(**注意：**螺钉(12)朝后，带有红色垫片的把手组件装在左侧)。锁紧螺钉(12)，塞上塞扣(10)。

把手安装完毕处于关闭状态的位置，如图示。



How To Install The Valve Bodies And Handles

Loosen the screw(12) with hex wrench(11). Remove handle kits(8), nuts(9) and rubber washers(13) from the valve bodies(18). Retain the steel washer(16), nuts(17) and the spline adapters(14) on the valve bodies.

Connct the valve bodies and supply tee(4) with hoses(19) and washers as in the drawing

NOTE: Install valve body with red mark on the left when facing the front of the faucet. For easy installation, loosen the supply tee properly by unscrewing it, but not more than 180 degrees. Ensure that the water inside the hoses flow smoothly. The hoses(19) should be used here.

Insert the valve bodies through mounting holes from underside of the lavatory. Install rubber washer(13) and nuts(9) on the valve bodies. Wrench tighten the nuts(9). Install the handle kits onto the valve bodies(**NOTE:** Screws(12) face back. The handle kit with red washer should be installed on the left side). Tighten screw(12). Insert plug buttons(10) into rear holes.

The illustration shown is the correct position of the handles in the off position.

如何安装排水器

将止水塞(20)、法兰盘(22)及垫片(23)从排水本体(27)取下，在法兰盘底面套上垫片。尾管(29)从排水本体上取下。在尾管螺纹处须缠绕足以密封的密封胶带或涂合适的密封胶，装回排水本体。把带垫圈(24)、钢垫(25)及锁紧螺母(26)的排水本体由脸盆孔下部插入，排水杆洞口(28)朝后方。

注意：如果需要可直接在法兰盘底面沿周围涂一圈密封油灰，而不使用垫片(23)。

把法兰盘旋入排水本体中。从下方用手拧紧锁紧螺母。把止水塞放入排水本体中，调整以使止水塞末端的孔(21)靠近并对正排水杆洞口。

松开连接头(33)的螺钉，取下连接头。将固定螺母(31)取下，把塑料垫片(30)及固定螺母装在球杆(32)上，将球杆组件插入排水杆洞口(28)并穿过止水塞，拧紧固定螺母。

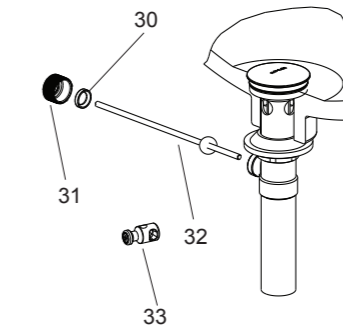
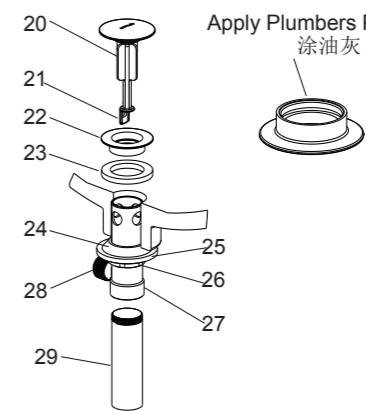
确保球杆指向脸盆后方，并拧紧排水本体上的锁紧螺母。

注意：在锁紧螺母转紧后，不可调整排水本体的位置，否则会破坏油灰密封。去除多余的油灰。

如何安装提拉杆组件

将提拉杆组件(34)插入出水口顶孔。

根据所选脸盆尺寸，选择排水器与水龙头提拉杆的连接方式。



How To Install The Drain

Uninstall the stopper(20), drain flange(22) and washer(23) from drain body(27). Slide washer onto the underside of the drain flange. Uninstall the tailpiece(29) from the drain body. Supply enough tape or sealant to tailpiece thread. Reinstall the tailpiece. Insert the drain body with gasket(24), steel washer(25) and locknut(26) into the lavatory from underside, with the drain lever hole(28) facing the rear.

NOTE: If necessary, apply a ring of plumbers putty around the underside of the drain flange, instead of using washer(23).

Thread the drain flange onto the drain body. Handtighten the locknut from the underside of the lavatory. Place stopper into drain body, aligning the flat side of stopper hole(21) with the drain lever hole.

Loosen the screw on the latch(33), take off the latch. Remove the retaining nut(31). Fit the plastic washer(30) and retaining nut onto the ball lever rod(32). Insert the ball lever assembly into the drain lever hole(28) and through the stopper hole. Tighten the retaining nut.

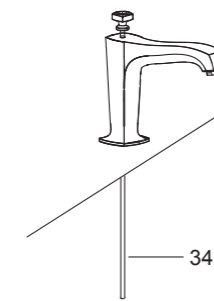
Be sure that the ball lever rod points to the back of the lavatory, tighten the locknut.

NOTE: Do not reposition the drain after the locknut is tightened, or you may break the putty seal. Remove any excess putty.

How To Install The Lift Rod Kit

Insert the lift rod assembly(34) into the top hole of spout.

Select the connection of the drain and the lift rod according the dimension of lavatory.



16232T 8" 脸盆龙头

