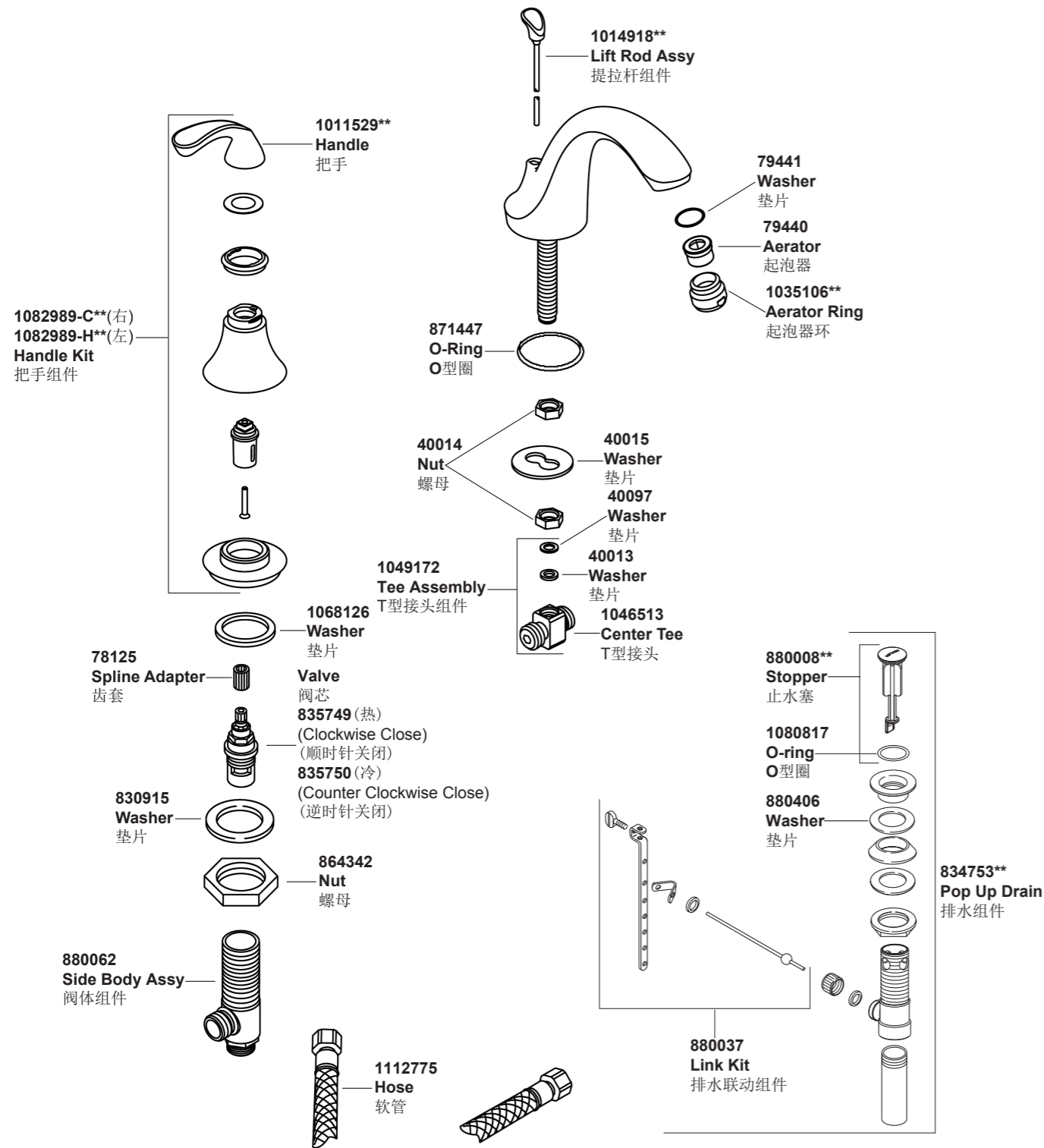


10272T-4 8"脸盆龙头



**订购时请说明颜色编号
**Color code must be specified when ordering

10272T-4 8"脸盆龙头

安装之前

所有的资料是按最新出版的产品资料编写而成。科勒公司保留任何时候不经通知即可改变产品特性、包装或产品可供类型的权利。

说明书包括重要的安装、保养及清洁方面的内容，请把这些资料交给用户阅读。

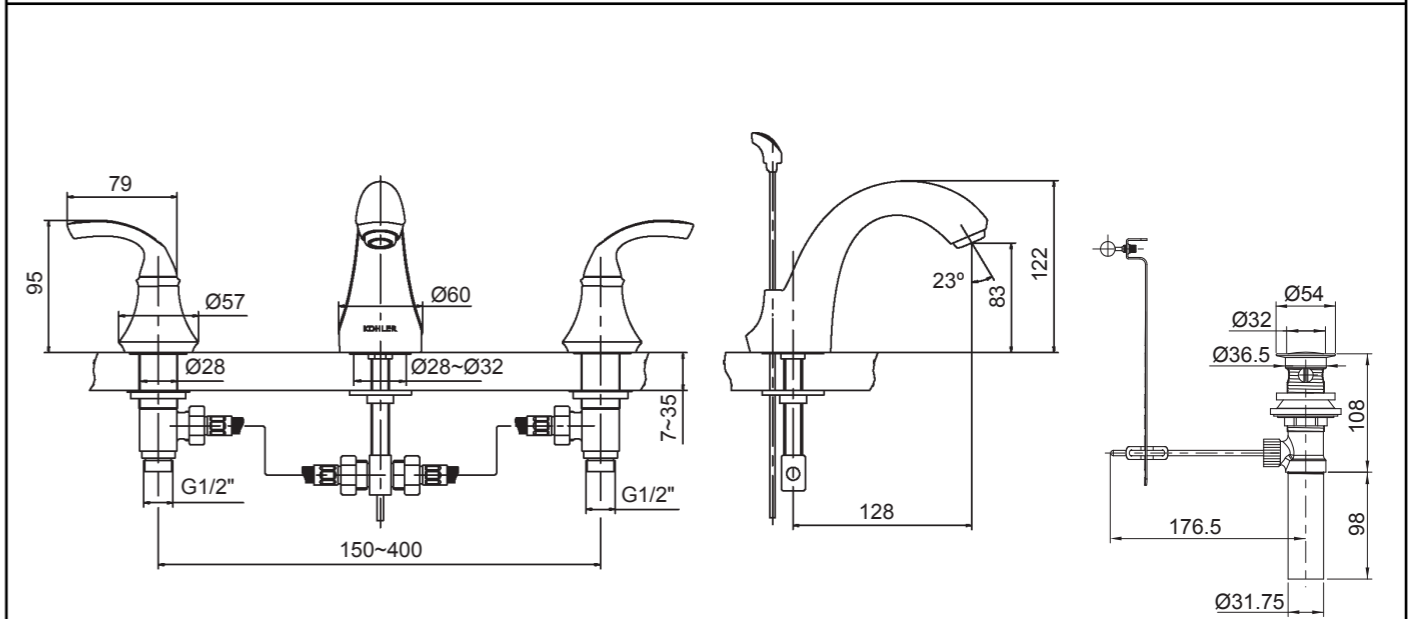
注意事项：

1. 一定要先彻底冲洗供水管以清除管道中的杂质。
2. 检查供水管有无损坏和漏水。如需要，进行替换和维修。
3. 遵守当地管路安装条例。
4. 尽可能在安装脸盆之前安装水龙头。

使用说明

逆时针旋转左把手为开，顺时针旋转右把手为开。

安装尺寸



BEFORE YOU BEGIN

All information is based on the latest product information available at the time of publication. Kohler Co. reserves the right to make changes in product characteristics, packaging, or availability at any time without notice.

Please leave these instructions for the consumer. They contain important information.

NOTES:

1. Flush the water supply pipes thoroughly to remove debris.
2. Inspect the supply tubing for damage and leakage. Replace and maintain as necessary.
3. Observe local plumbing codes.
4. If possible, install this faucet before installing the lavatory.

HANDLE OPERATION

Left handle opens with one-quarter turn counter-clockwise. Right handle opens with one-quarter turn clockwise.

ROUGH-IN DIMENSIONS

安装步骤

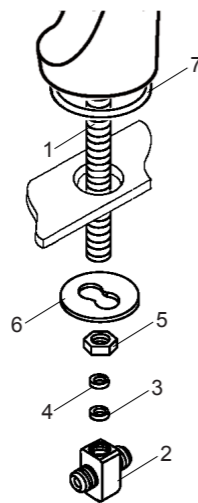
如何安装出水口

从牙管(1)上依次取下T型接头(2)、塑料垫圈(3)、橡胶垫片(4)、螺母(5)和金属垫片(6)。

将O型圈(7)装到出水口底部槽中，龙头装于脸盆中孔。

从脸盆下方安装金属垫片和螺母，调整出水口的位置，用扳手锁紧螺母。

依次将塑料垫圈、橡胶垫片放入T型接头内，然后将T型接头旋到出水口牙管上并拧紧。



INSTALLATION

How To Install The Spout

Remove and retain the parts from the shank(1) according to the following order: supply tee(2), plastic gasket(3), rubber washer(4), nut(5) and metal washer(6).

Slide the o-ring(7) in the groove under the spout. Fit the spout assembly to the center hole of lavatory.

Install metal washer and nut from underside of the lavatory. Adjust the position of the spout and tighten the nut by wrench.

Put plastic gasket and rubber washer into supply tee. Thread supply tee to the spout shank until tight.

如何安装阀体和把手

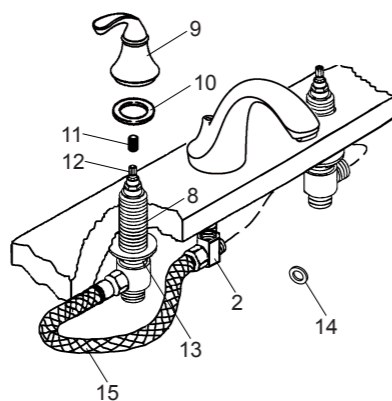
从阀体组件(8)上取下把手组件(9)和橡胶垫片(10)。齿套(11)保留在阀轴(12)上，将阀体组件从脸盆下方插入安装孔中(注意：贴有红圆的阀体组件装在左侧)。

将橡胶垫片(10)嵌入把手组件(9)底面的凹槽中。将把手组件旋到阀体组件(8)上(注意：带有红色垫片的把手组件装在左侧)。调整阀体，用扳手锁紧螺母(13)。

如图所示：将垫片(14)放入软管(15)两端螺母中，然后分别与阀体和T型接头(2)连接。

注意：软管(15)只能用于此处。

阀处于关闭位置，把手的状态如图所示。



How To Install The Valve Bodies And Handles

Remove handle kit(9), rubber washer(10) from the valve body(8). Retain the stem extension(11) on the valve stem(12). Insert the valve body through mounting hole from underside of the lavatory (Note: The valve body with red dot should be installed on the left side).

Put the rubber washer(10) into the groove on the bottom of the handle kit(9). Thread the handle kit onto the valve body(8)(Note: The handle kit with red washer should be installed on the left side of the body). Adjust the valve body. Tighten nut(13) by wrench.

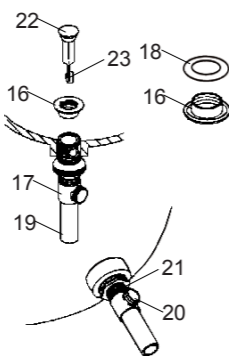
Put the washers(14) into the nuts of the hose(15). Connect the valve bodies and center tee(2) with hoses as in the drawing.

NOTE: The hoses(15) should only be used here.

The illustration shown is the correct position of the handles in the valve closed position.

如何安装排水器

将盘片(16)从排水本体(17)上取下，在排水器盘片底部套上垫片(18)，用密封胶(生料带)在排水器尾管(19)缠几圈，装入排水本体。把排水本体从下方插入洗脸盆，排水杆口(20)朝后方，把排水器盘片旋入排水本体中，从下方用手拧紧锁紧螺母(21)。



How To Install The Drain

Remove the flange(16) from drain body(17). Slide the washer(18) onto the underside of the drain flange. Apply thread tape to tailpiece(19). Install to drain body. Insert drain body into underside of lavatory with drain lever hole(20) facing to the back of lavatory and thread flange onto drain body until hand tight. Tighten the locknut(21) by hand from the underside of the fixture.

把止水塞(22)放入排水本体中，调整止水塞末端的洞口(23)使其靠近并对正排水杆的洞口。

注意：如果需要，可直接在排水器盘片(16)底面沿周围涂一圈密封油灰或其他密封剂，而不使用橡胶垫片(18)。

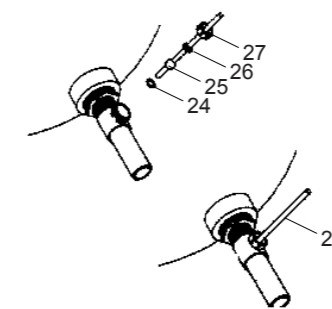
将橡胶垫圈(24)装进排水杆口，再把另一个塑料垫圈(25)和固定螺母(26)套进杆子长的一端(27)。把球动杆组件(28)插入排水杆口，并穿过止水塞末端的洞口(23)，拧紧固定螺母。

确定球动杆指向洗脸盆后方，再次拧紧排水本体的锁紧螺母(21)，去除多余油灰。

注意：在锁紧螺母拧紧后，不可调整排水本体的位置，否则会破坏油灰密封或密封剂密封。

把手捻螺丝(29)装到连杆(30)上。用“V”形夹(31)将连杆连接到球动杆组件上，将提拉杆(32)插入水龙头及连杆的孔中，调整提拉杆的位置，使得提拉杆头的底部正好顶在水龙头的本体上。将球动杆往下推到排水器全开的位置。

拧紧手捻螺丝。



Place stopper(22) into drain body aligning the flat side of stopper hole(23) with the drain lever hole.

NOTE: If needed, apply a ring of plumbers putty or other sealants around the underside of the drain flange(16), instead of using rubber washer(18).

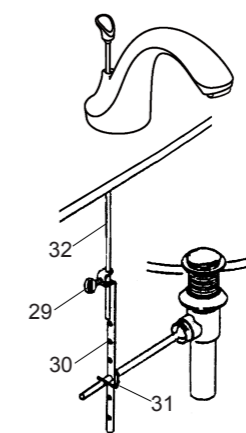
Place the rubber washer(24) into the drain lever hole. Put another plastic washer(25) and retaining nut(26) into the long end of ball lever rod(27). Insert the ball lever assembly(28) into the drain lever hole and through the stopper hole(23), and tighten the retaining nut.

Be sure that the ball lever points to the back of the lavatory. Tighten the locknut(21) onto the drain body. Remove any excess putty.

NOTE: Do not reposition the drain after the locknut is tightened, or you may break the putty seal.

Assemble thumb screw(29) to link(30), and link onto ball lever rod with “V”-clip(31). Slide lift rod(32) through the hole in faucet and into the hole in link. Position lift rod so bottom of the lift rod knob rests against the faucet body. Push the ball lever down into the open position.

Tighten thumb screw.position.

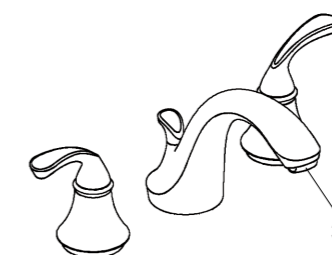


安装结果检查

检查并确保所有衔接处都已拧紧，确保手柄在关的位置。

打开主要供水源和排水系统，检查并修理有漏水的接口。

将起泡器(33)拆下，打开水龙头的冷热水，让水流出约一分钟以清除杂质，检查渗漏。冲洗起泡器，关闭水龙头，重新装回起泡器。



INSTALLATION CHECKOUT

Ensure that all coupling nuts are tight. Ensure that the lever handle is in the off position.

Turn on the main water supply and drain, and check for leaks. Repair as needed.

Remove the aerator(33). Run hot and cold water through faucet for about one minute to remove any debris. Check for leaks. Repair as needed. Remove any debris from the aerator. Shut off the faucet. Reinstall the aerator.

清洗说明

适用于所有加工处理过的表面：以中性肥皂水清洗镀层表面，再以干净的软布彻底擦干整个表面，许多清洁剂，比如氨水、去污粉及洁厕灵等，会对电镀表面造成伤害，切忌使用。

有磨损性的清洁用具或清洁剂也不可适用于科勒牌的水龙头及其配件上。

CLEANING INSTRUCTIONS

All Finishes: Clean the finish with mild soap and warm water. Wipe entire surface completely dry with clean soft cloth. Many cleaners may contain chemicals, such as ammonia, chlorine, toilet cleaner etc. which could adversely affect the finish and are not recommended for cleaning.

Do not use abrasive cleaners or solvents on Kohler faucets and fittings.