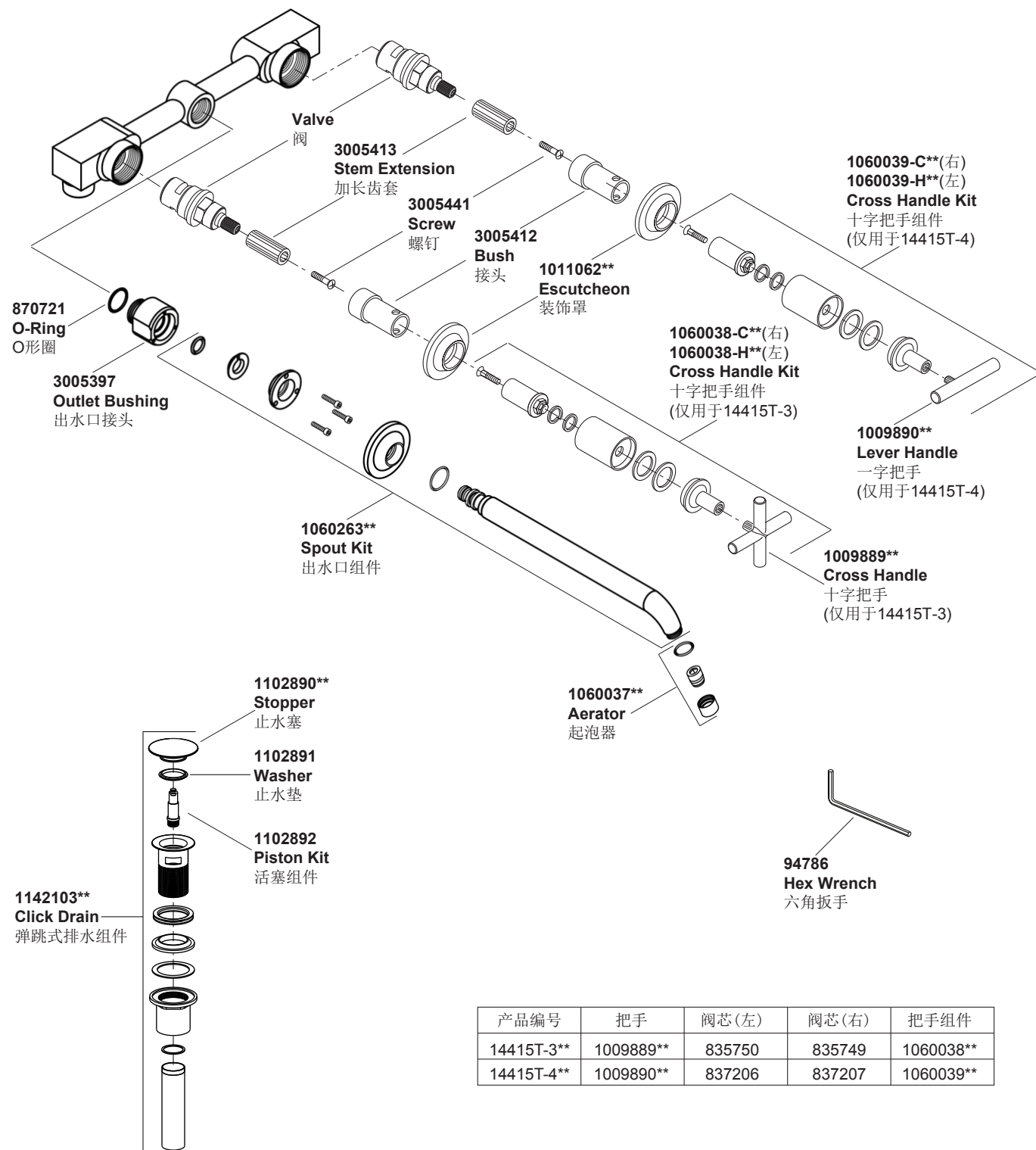


14415T 入墙式双把脸盆龙头



产品编号	把手	阀芯(左)	阀芯(右)	把手组件
14415T-3**	1009889**	835750	835749	1060038**
14415T-4**	1009890**	837206	837207	1060039**

**订购时请说明颜色编号
**Color code must be specified when ordering

14415T 入墙式双把脸盆龙头

安装之前

所有的资料是按最新出版的产品资料编写而成。科勒公司保留任何时候不经通知即可改变产品特性、包装或产品可供类型的权利。

说明书包括重要的安装、保养及清洁方面的内容，请把这些资料交给用户阅读。

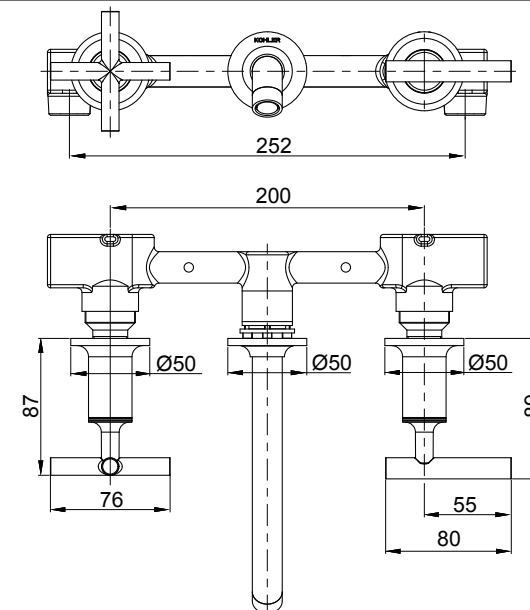
注意事项：

1. 一定要先彻底冲洗供水管以清除管道中的杂质。
2. 检查供水管有无损坏和漏水。如需要，进行替换和维修。
3. 遵守当地管路安装条例。
4. 埋墙前测试安装连接部位是否有渗漏，根据需要修理之。
5. 本产品只接受水压测试，并且测试前需先排空管路与龙头间的空气。测试水压不超过0.8MPa(8bar)，时间不超过30分钟。

使用说明

对于14415T-3，顺时针旋转左把手为开，逆时针旋转右把手为开。对于14415T-4，逆时针旋转左把手为开，顺时针旋转右把手为开。

安装尺寸



BEFORE YOU BEGIN

All information is based on the latest product information available at the time of publication. Kohler Co. reserves the right to make changes in product characteristics, packaging, or availability at any time without notice.

Please leave these instructions for the consumer. They contain important information.

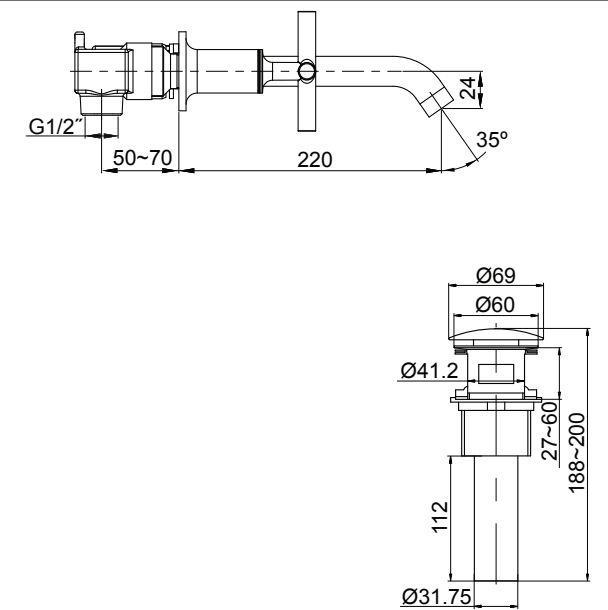
NOTES:

1. Flush the water supply pipes thoroughly to remove debris.
2. Inspect the supply tubing for damage and leakage. Replace and maintain as necessary.
3. Observe local plumbing codes.
4. Check for leaks before cover the pipes, repairs as needed.
5. Please ensure only apply water pressure test on the product, and empty the air in pipe and faucet thoroughly before the test. Please ensure test pressure below 0.8MPa (8 bar) and test duration within 30 minutes.

OPERATION INSTRUCTIONS

For 14415T-3, Left handle opens with turning clockwise, right handle opens with turning counter clockwise. For 14415T-4, Left handle opens with turning counter clockwise, right handle opens with turning clockwise.

ROUGH-IN DIMENSIONS



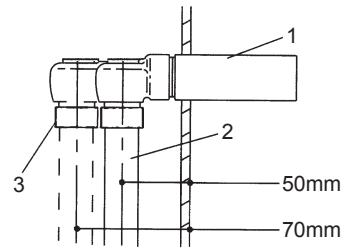
安装步骤

INSTALLATION

如何安装混合栓

切勿在此时将保护套(1)移去。

连接螺纹为G1/2"的供水管(2)至混合栓进水处(3)。供水管路与装修好的墙面之距离应为50mm至70mm。贴红圆一侧朝左，安装热水管。



How to Install the Yoke

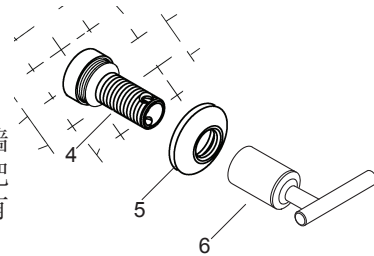
Do not take off guards(1) at this moment.

Connect the G1/2" water supply pipes(2) to the supply yoke(3) so the installed water supplies will be between 50mm and 70mm from the finished wall. Make sure the left supply pipe is the hot supply and connected to the end with red mark.

如何安装装饰罩和把手

墙壁装修好以后，可将保护套扔掉。

将装饰盖(5)旋到阀体(4)上，并贴紧墙壁，再将把手组件(6)旋到阀体上直到把手组件靠紧装饰盖。面向龙头时，带有红色垫片的把手装在左侧。

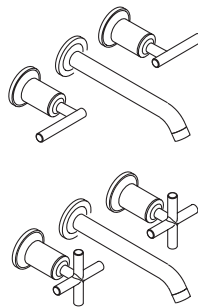


How to Install the Escutcheons and Handles

Remove and discard the guards after completed the finished wall.

Screw the escutcheons(5) to the valve bodies(4) until the escutcheons against the wall. Screw the handle kits(6) to the valve bodies until the handle kits against the escutcheons. Ensure the handle kit with red washer on the left when facing the front of the faucet.

把手安装完毕，处于关闭状态的位置如右图所示：

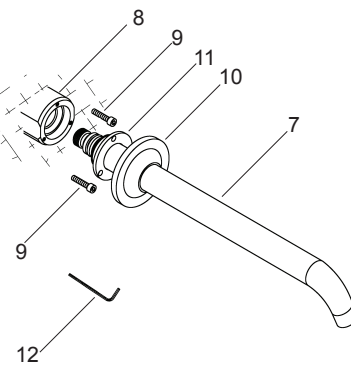


The configuration shown is the correct position of the handles in the closed position.

如何安装出水口

去掉出水口(7)上的保护套。

将出水口旋紧到出水口接头(8)上，再适当旋松出水口使出水嘴向下，旋转连接法兰(11)到合适位置，用六角扳手(12)锁紧螺钉(9)固定出水口，后推装饰盖(10)，使其同墙壁接触并确保其上的“KOHLER”标处于正上方。



How to Install the Spout

Remove and discard the guard from the spout(7).

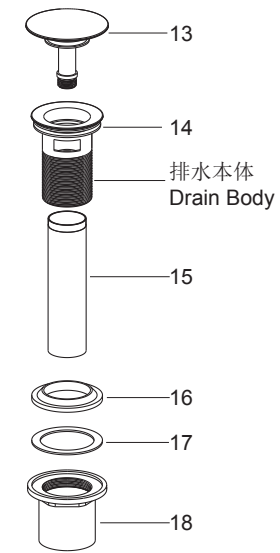
Thread the spout onto the spout connector(8). Unscrew the spout properly to make sure it is downward. Adjust the flange(11), tighten the screws(9) by hex wrench(12) to secure the spout. Push the escutcheon(10) against the wall and ensure the mark of 'KOHLER' upward.

如何安装排水器

把锁紧螺母(18)、塑料垫片(17)、橡胶垫圈(16)和尾管(15)从排水器本体上取下。在尾管螺纹处须缠绕足以密封的密封胶带或涂合适的密封胶，装回排水本体。把排水本体从脸盆上部孔插入。再依次将橡胶垫圈(小面朝上)、塑料垫片和锁紧螺母从排水本体底部装入。锁紧螺母。

注意：如果需要，可以直接在排水器盘片(13)底面沿周围涂上一圈密封油灰，而不使用垫片(14)。

在锁紧螺母转紧后，不可调整排水本体的位置，否则会破坏油灰密封或密封剂密封。



How to Install the Drain

Remove the locknut(18), plastic washer(17), rubber gasket(16) and tailpiece(15) from the drain body. Supply enough tape or sealant to tailpiece thread. Reinstall the tailpiece. Insert the drain body into the lavatory. Put the rubber gasket (Tapered side up), plastic washer and locknut back to the drain body in turn. Tighten the locknut.

Notes: If needed, apply a ring of plumbers putty around the underside of the drain flange(13) instead of using the washer(14).

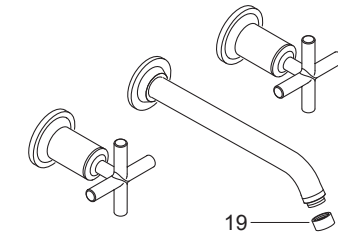
Do not reposition the drain after the locknut is tightened, or you may break the putty or sealant seal.

安装结果检查

确保已拧紧所有连接处。确保把手在关闭位置。

打开排水器和主要供水源，检查并修理有漏水的接口。

将起泡器(19)拆下。打开排水器。打开冷热水阀，使水流出一分钟以清除杂质，关闭阀。重新安排起泡器。



INSTALLATION CHECKOUT

Ensure that all connections are tight. Ensure that the handles are in the off position.

Turn on the drain and main water supply, and check for leaks. Repair as needed.

Remove the aerator(19). Open the drain. Open both hot and cold valves and run water through the spout for about one minute to remove any debris. Turn the valve off. Reinstall the aerator.

清洗说明

适用于所有加工处理过的表面：以中性肥皂水清洗镀层表面，再以干净的软布彻底擦干整个表面，有许多清洁剂，比如氨水、去污粉及洁厕灵等，会对电镀表面造成伤害，切忌使用。

有磨损性的清洁用具或清洁剂也不可适用于科勒牌的水龙头及其配件上。

CLEANING INSTRUCTIONS

All Finishes: Clean the finish with mild soap and warm water. Wipe entire surface completely dry with clean soft cloth. Many cleaners may contain chemicals, such as ammonia, chlorine, toilet cleaner etc. which could adversely affect the finish and are not recommended for cleaning.

Do not use abrasive cleaners or solvents on Kohler faucets and fittings.